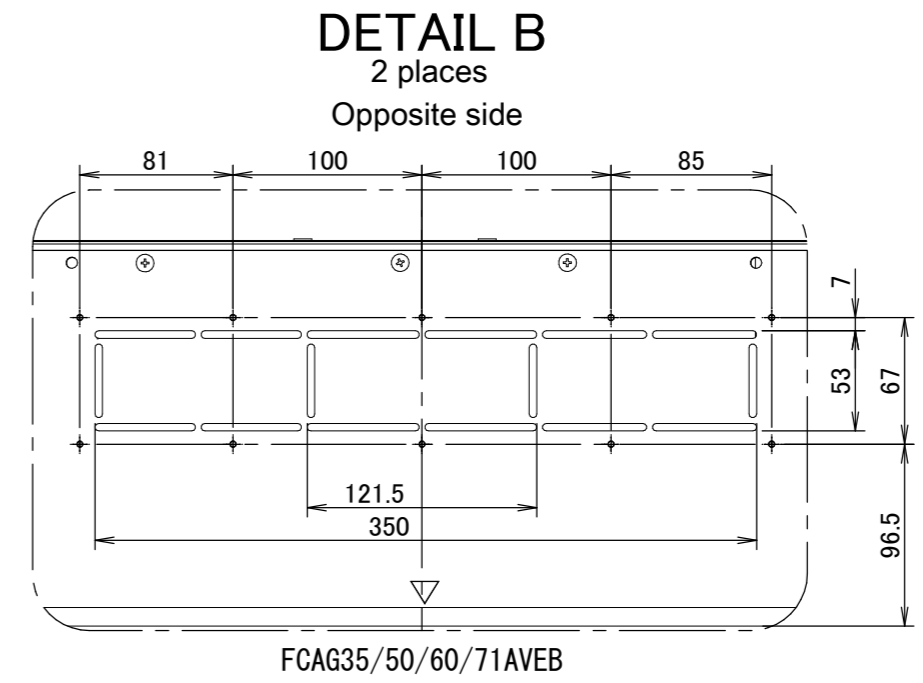
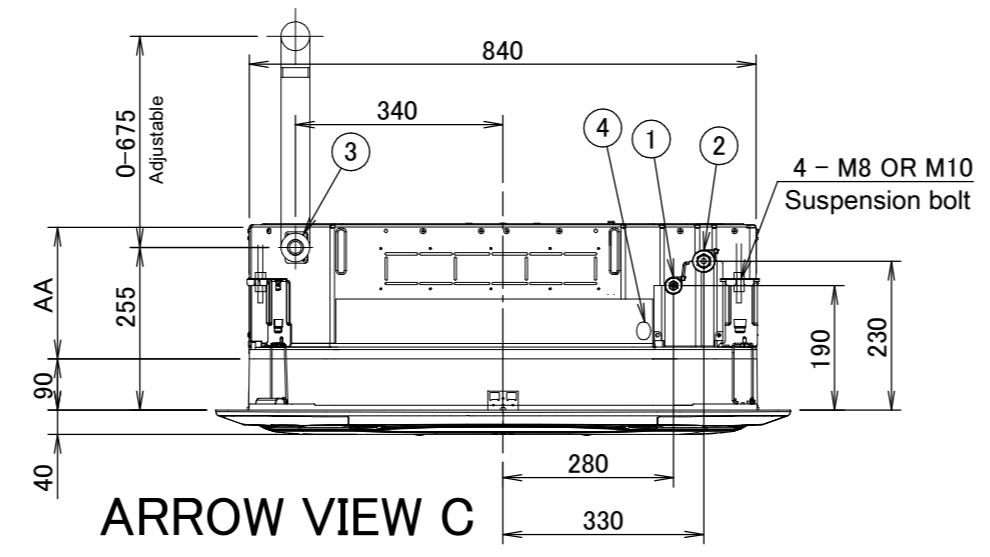
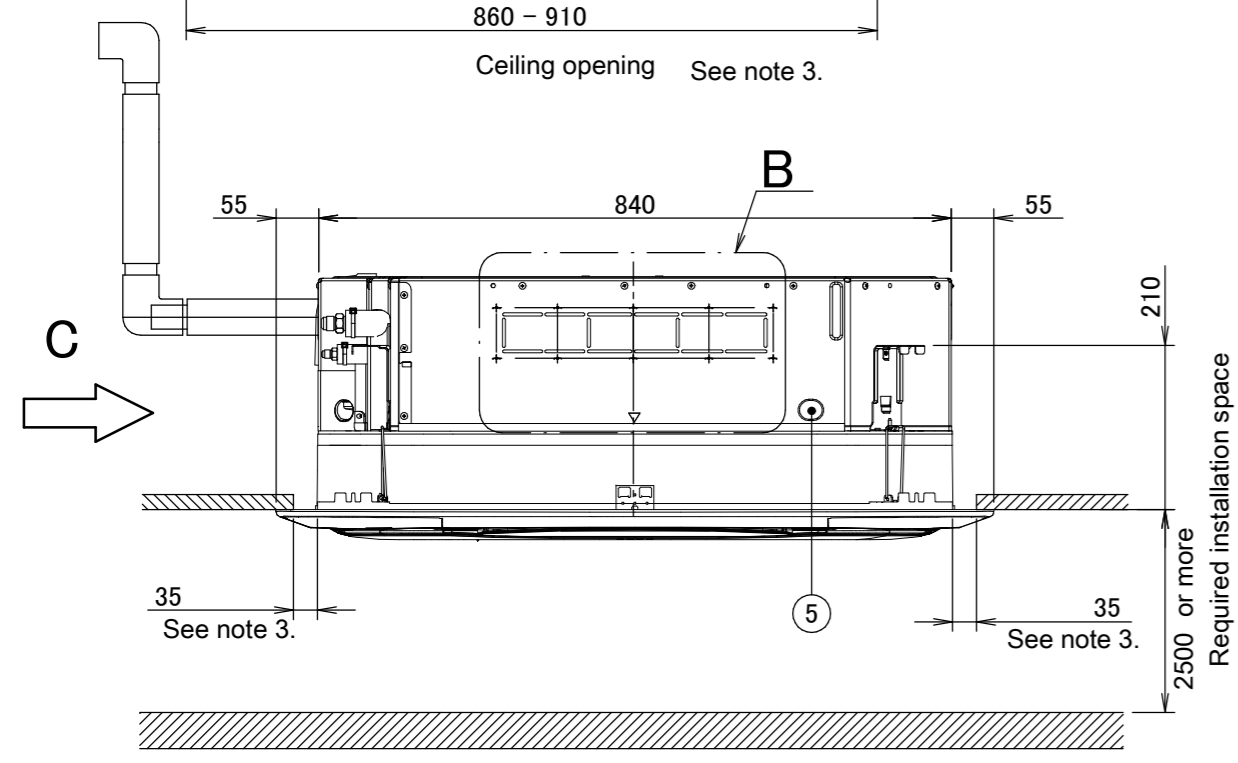
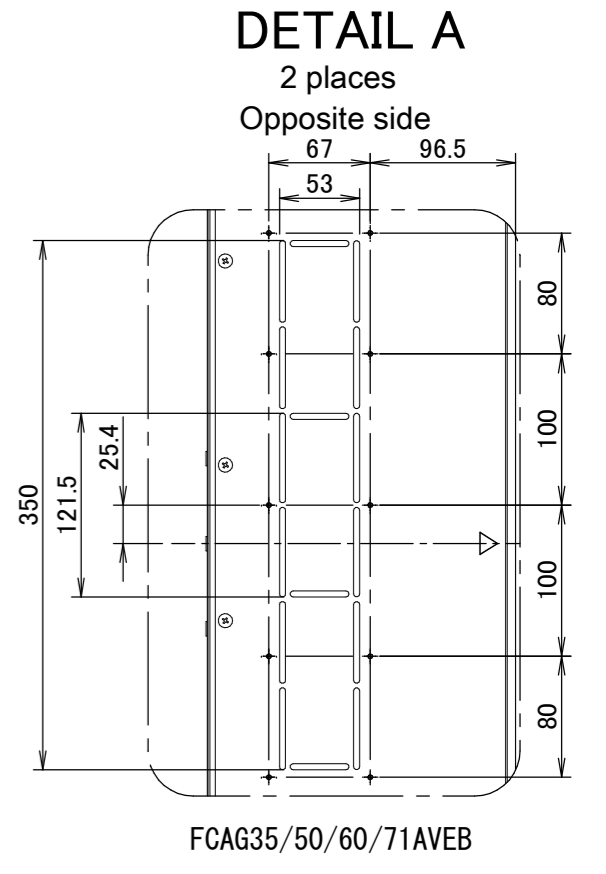
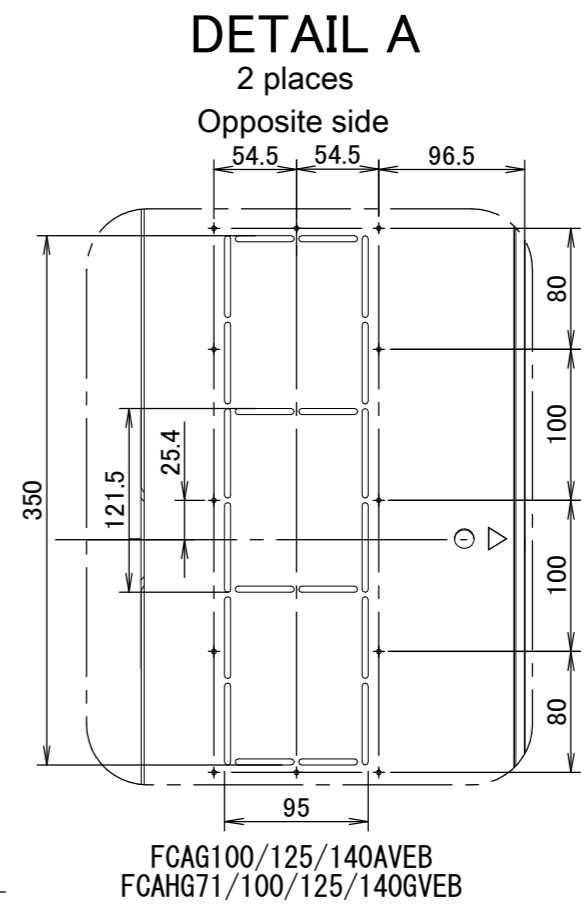
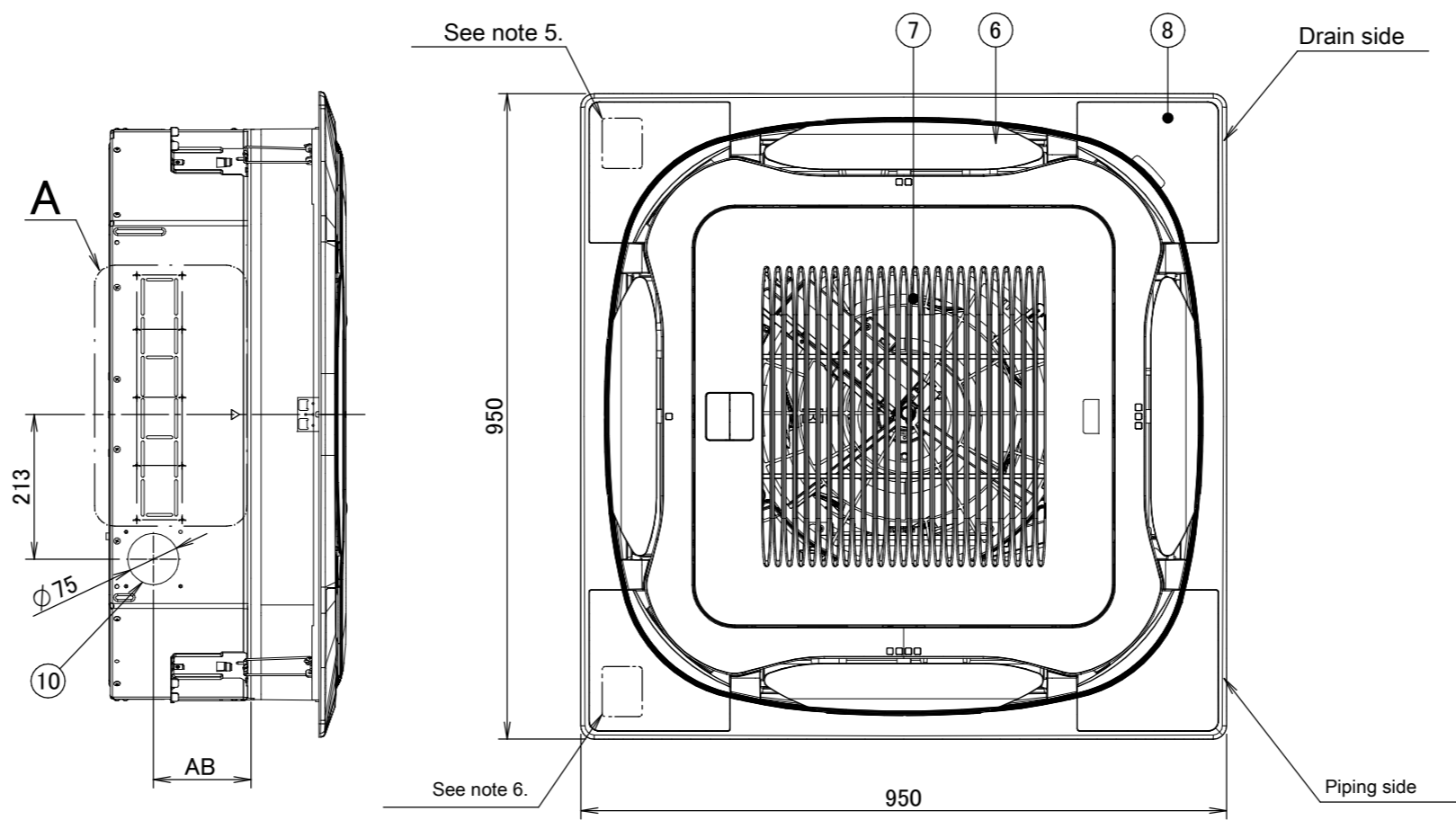
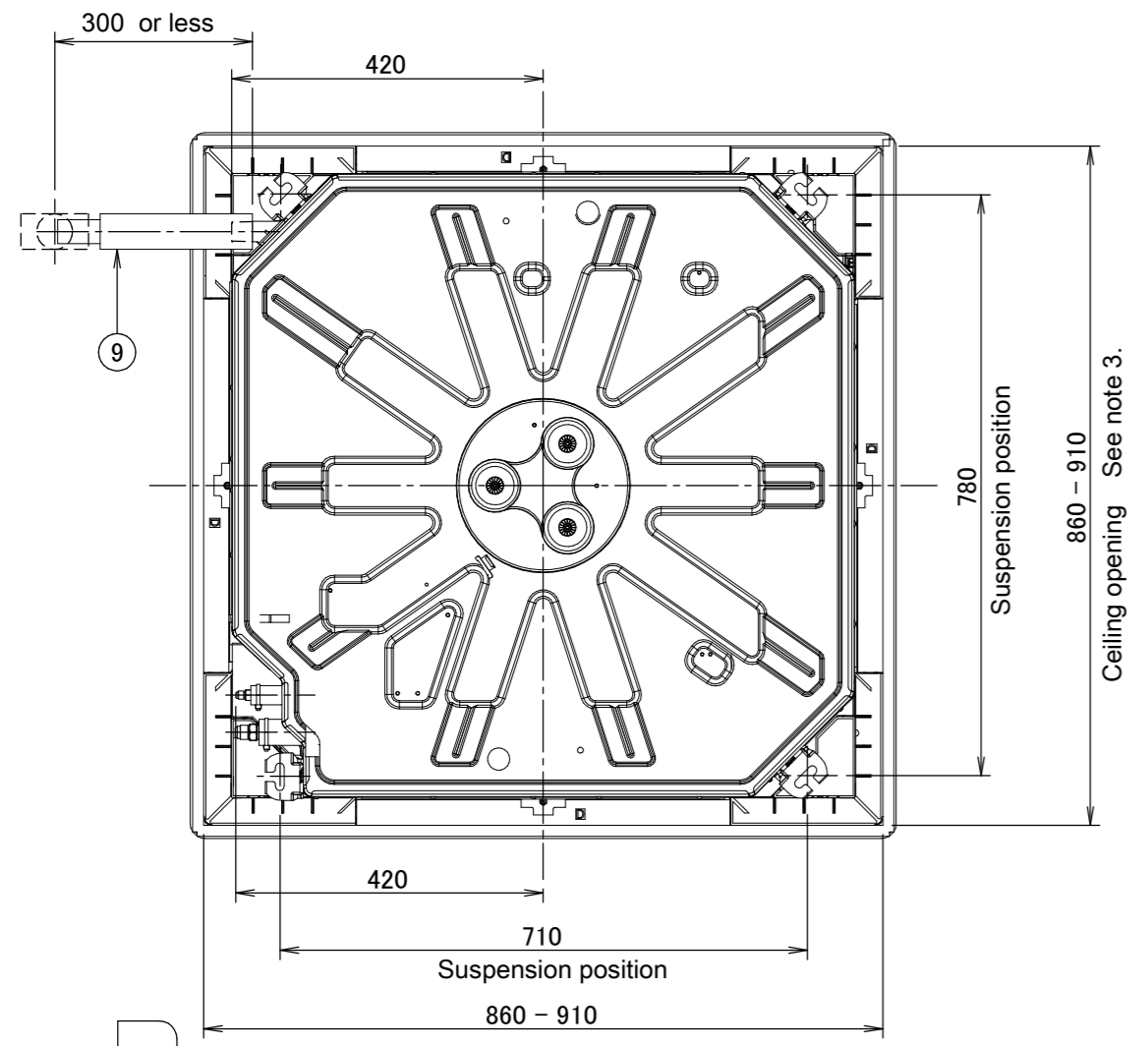


FCAHG-G

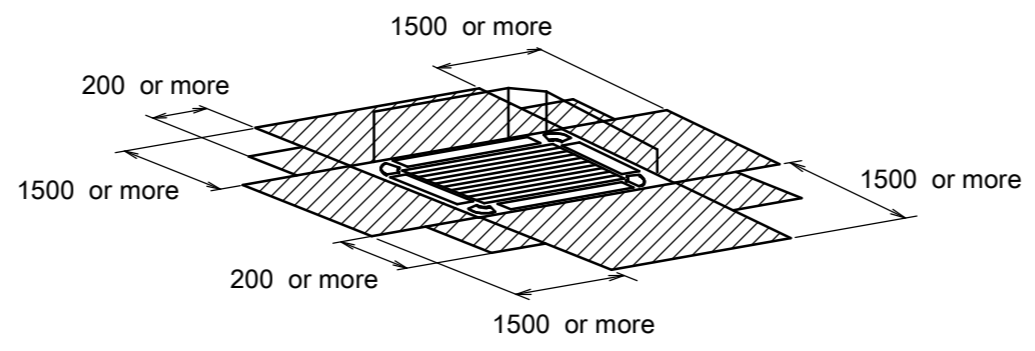
Notes

- Location of nameplate
The unit nameplate is located on the control box cover.
The decoration panel nameplate is located on the piping-side panel frame, under the corner cover.
- When installing optional accessories, refer to their respective documentation.
- Make sure the distance between the ceiling and the cassette does not exceed 35mm.
- The maximum ceiling opening is 910mm.
- When the conditions in the ceiling exceed 30°C ambient temperature and 80% relative humidity, or when fresh air is inducted into the ceiling, additional insulation is required (polyethylene foam, thickness ≥10mm).
- When installing a sensor kit, there will be a sensor on this location. For details, see the drawing of the sensor kit.
- When installing a wireless controller, there will be a receiver on this location. For details, see the drawing of the wireless controller.

AA	AB	Model
204	140	FCAG35/50/60/71AVEB
246	180	FCAG100/125/140AVEB
288	180	FCAHG71/100/125/140GVEB

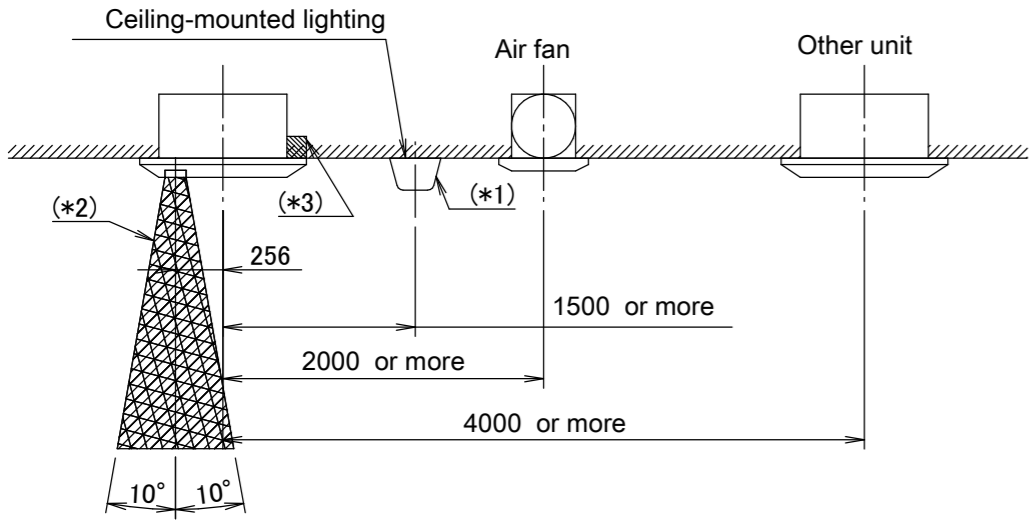
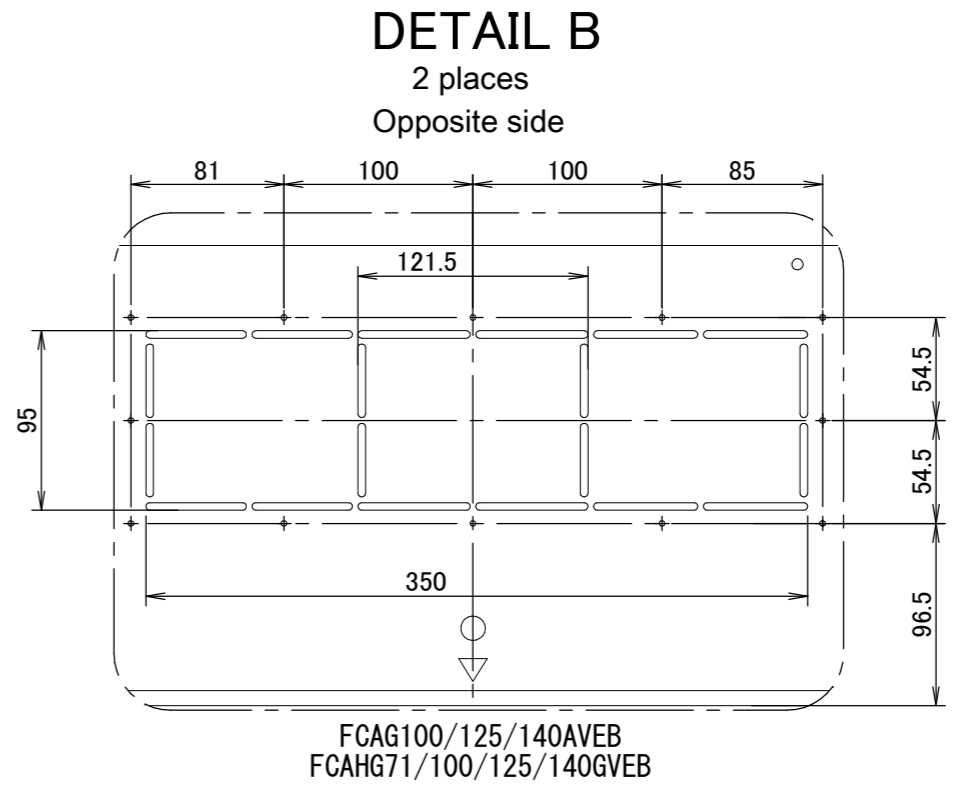
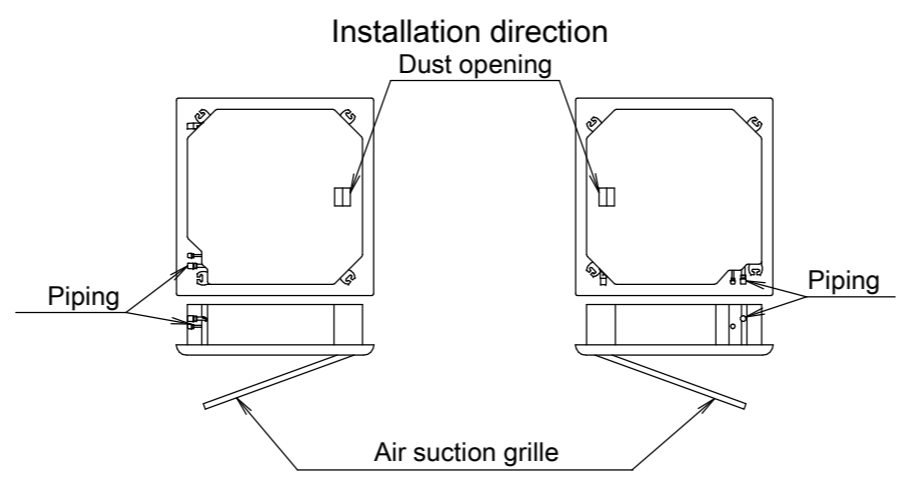


- Item Name**
- ① Liquid pipe connection port
 - ② Gas pipe connection port
 - ③ Drain pipe connection
 - ④ Power supply wiring intake
 - ⑤ Transmission wiring intake hole
 - ⑥ Air discharge outlet
 - ⑦ Air suction grille
 - ⑧ Corner decoration cover
 - ⑨ Drain hose
 - ⑩ Knockout hole.



Required installation space

If a discharge outlet is closed up with the "sealing member" option kit, then the required installation space on that (closed up) side is 500mm instead of 1500mm.



(*1) Not applicable to recessed lighting.
(*2) Required space for entering with vacuum cleaner tube.
(*3) Make sure the decoration panel discharge outlet is not blocked.