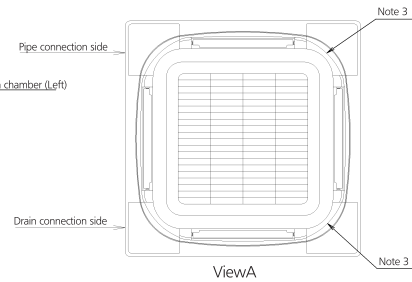
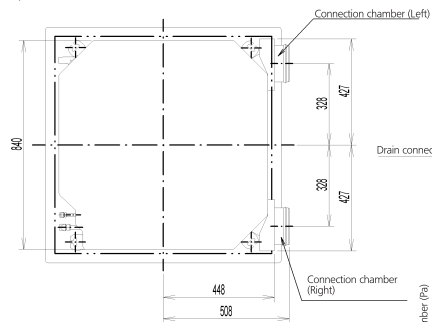
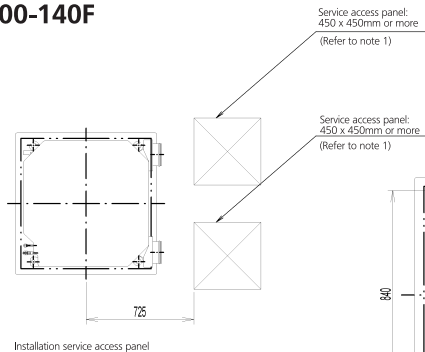


FCQG100-140F



Note:

- 1 When installing this kit, inspection hatch is necessary. (it is necessary when servicing.)
Either one of inspection hatches must be installed.
- 2 Field construction.
- 3 The corner air outlet of this part must be shut
- 4 In case of mounting a duct fan, make sure to use a wiring adapter for electrical appendices and link with the indoor unit fan
- 5 The intake air flow rate is recommended to be 20% or less of the H speed air flow rate
If the intake air flow volume is too large, the operating sound may rise or detection of the indoor unit suction temperature may be affected.
- 6 It indicates the distance between the T-tube inlet and the indoor unit inlet when the T-tube is connected

Applicable models
FCQG100/125/140F

