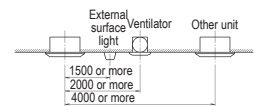
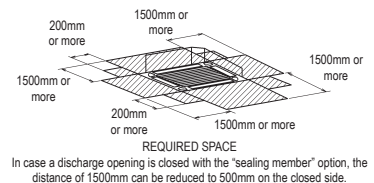
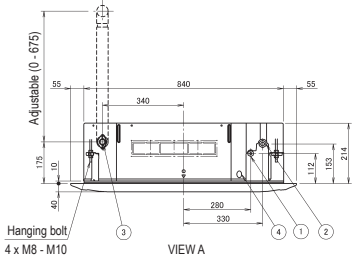
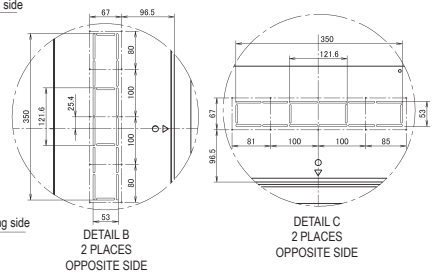
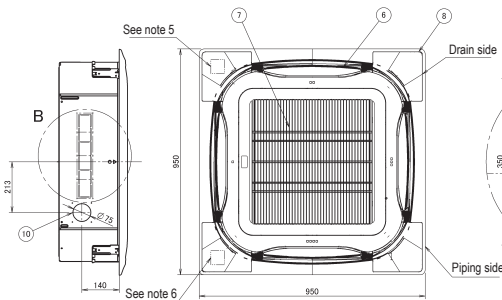
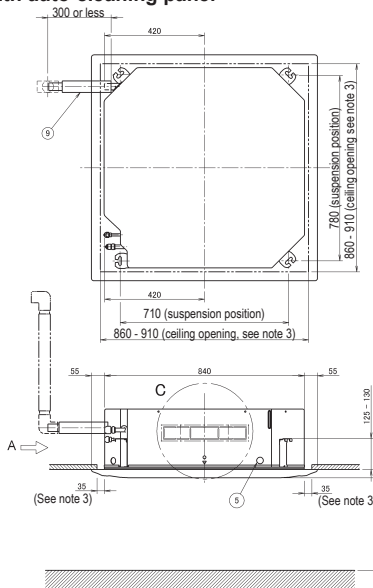


# FCQG35-71F with auto-cleaning panel



## NOTE

- Location of the nameplates
  - Unit body: on the control box cover
  - Decoration panel: on the panel frame at the piping side under the corner cover
- When installing an optional accessory, refer to the installation drawings.
  - For fresh air intake kit an inspection part is necessary
- Make sure the spacing between the ceiling and the cassette is no more than 35mm. Max ceiling opening: 910mm
- When the conditions exceed 30°C and RH 80% in the ceiling or fresh air is inducted into the ceiling, an additional insulation is required (polyethylene foam, thickness 10mm or more)
- In case of using a sensor kit, this position will be a sensor, refer to the drawing of the sensor kit for more detail
- In case of using an infrared control, this position will be a receiver, refer to the drawing of the infrared control for more detail

Item	Name
1	Liquid pipe connection
2	Gas pipe connection
3	Drain pipe connection
4	Power supply entry hole
5	Transmission wiring entry hole
6	Air discharge opening
7	Air suction grille
8	Corner decoration cover
9	Drain hose
10	Knock out hole

Model  
FCQG35-71FVEB, FXFQ20-63AVEB

2D090245A