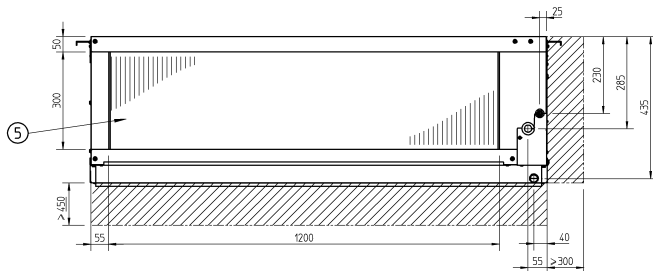
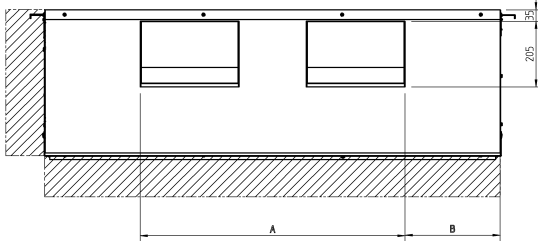


# FDQ200-250B

unit (mm)




View A

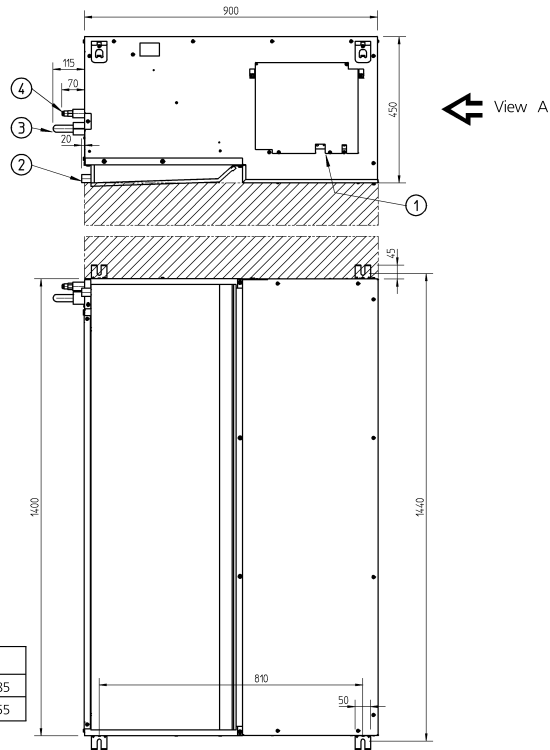


- ① Power supply intake
- ② Drain connection  $\phi$  25 O.D.
- ③ Gas pipe connection  
FDYP200B/250B : 1 1/8" O.D. or 28,6 mm  
FDQ200/250 : 7/8" O.D. or 22,2 mm O.D.
- ④ Liquid pipe connection  
FDYP200B : Single union joint 1/2" or 12,7mm  
FDYP250B : Single union joint 5/8" or 15,9mm  
FDQ200 : Single union joint 3/8" or 9,52 mm  
FDQ250 : Single union joint 1/2" or 12,7mm
- ⑤ Filter

Notes:

 : Service space

Model	A	B
FDYP200B8V19/FDQ200B8V3B9	830	285
FDYP250B8V19/FDQ250B8V3B9	890	255



View A