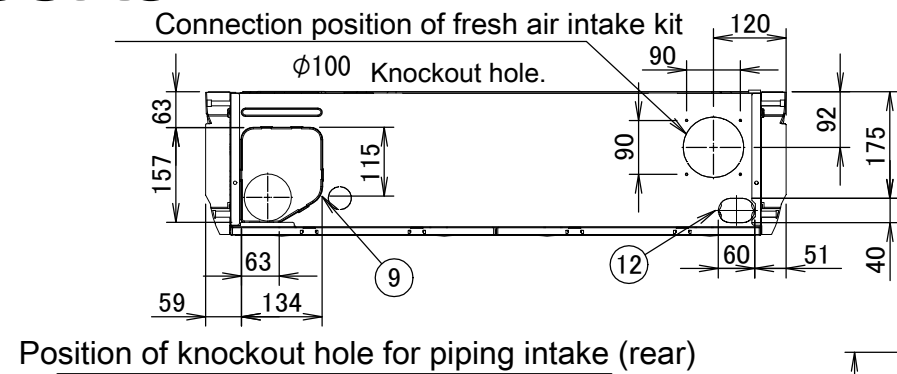
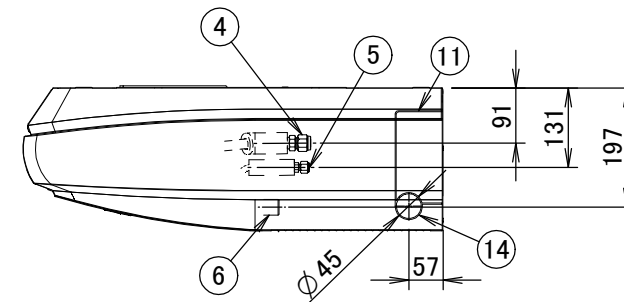
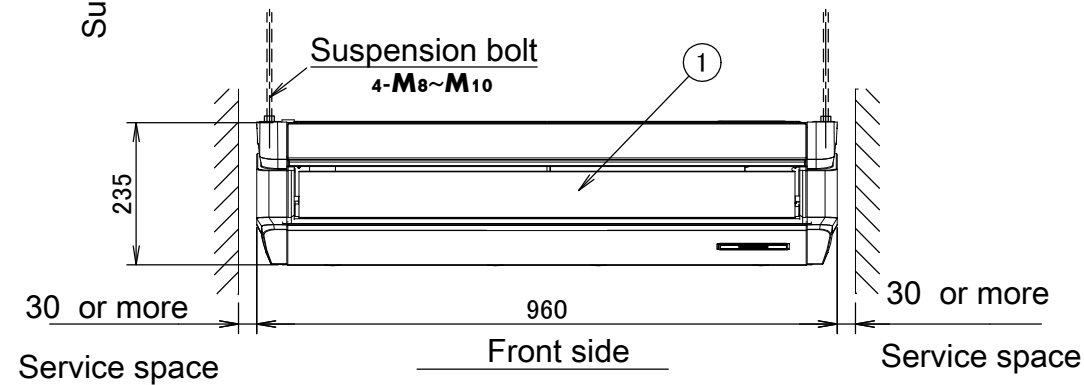
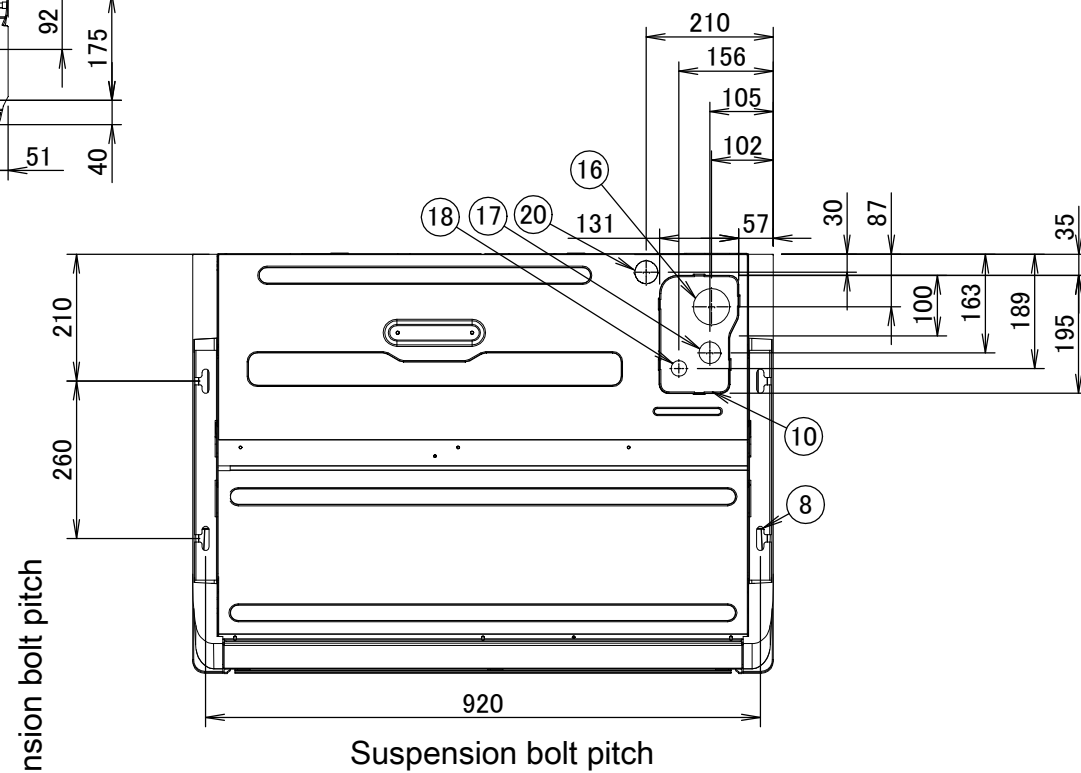
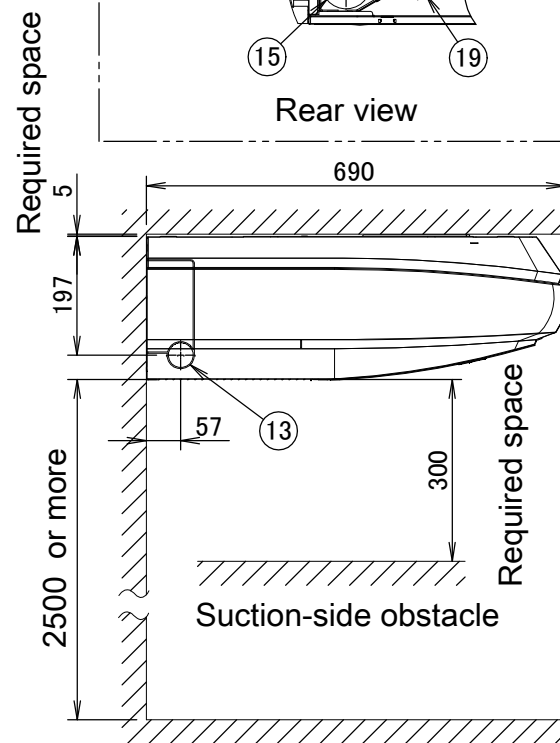
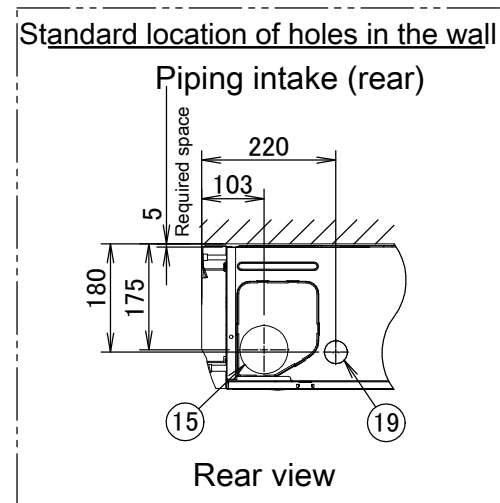


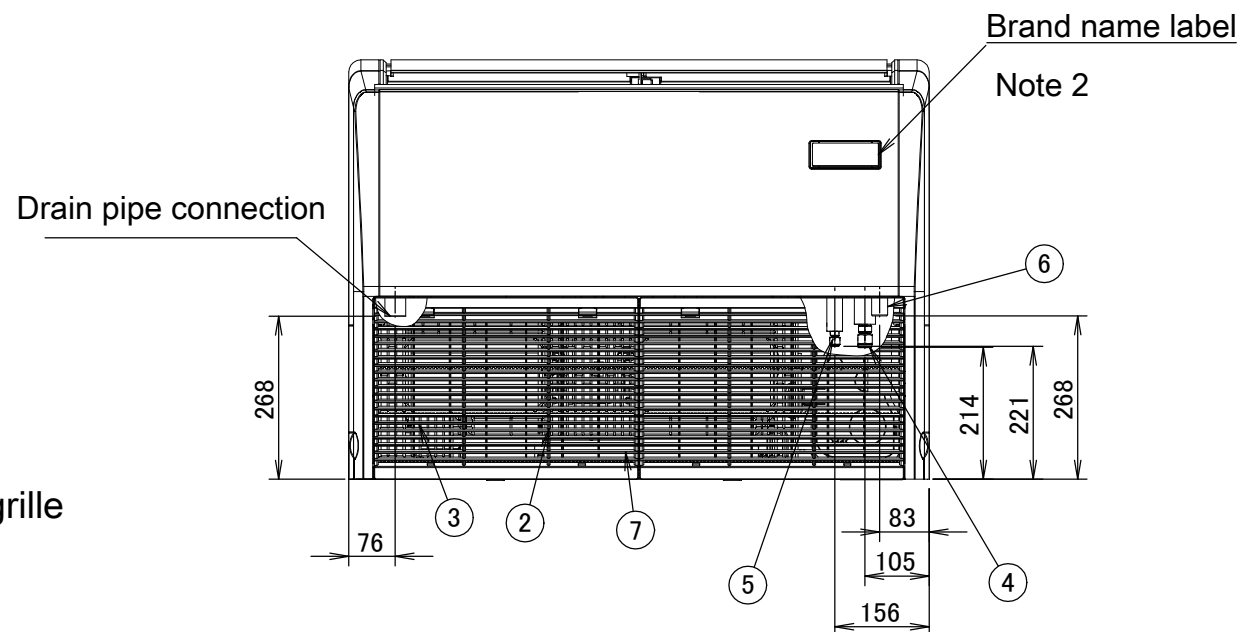
FHA35A9



Position of knockout hole for piping intake (rear)
 Rear view



Number	Name	Description
1	Air discharge grille	
2	Air suction grille	
3	Air filter	
4	Gas pipe connection $\phi 9,5$ flare	
5	Liquid pipe connection $\phi 6,4$ flare	
6	Drain pipe connection	VP20
7	Terminal block with earth terminal Located inside of the unit	M4
8	Metal hanger	
9	Position of knockout hole	Rear side
10	Position of knockout hole	Top
11	Piping intake (right)	Knockout hole.
12	Drain piping intake (left-rear)	Knockout hole.
13	Drain piping intake (left)	Knockout hole.
14	Drain piping intake (right)	Knockout hole.
15	Standard location of holes in the wall Piping intake (rear)	$\phi 100$
16	Drain piping intake (top)	$\phi 60$
17	Gas piping intake (top)	$\phi 36$
18	Liquid piping intake (top)	$\phi 26$
19	Power supply wiring and control wiring intake (rear)	$\phi 29$
20	Power supply wiring and control wiring intake (top)	$\phi 29$



1) Notes
 Location of nameplate
 Bottom of the fan housing inside the suction grille

2) When installing a wireless controller, there will be a receiver on this location.
 For details, see the drawing of the wireless controller.

3) Do not place any objects under the indoor unit. In case of high humidity (>80%), clogged drain outlets, or dirty air filters, condensate may drop out.

3D106574A