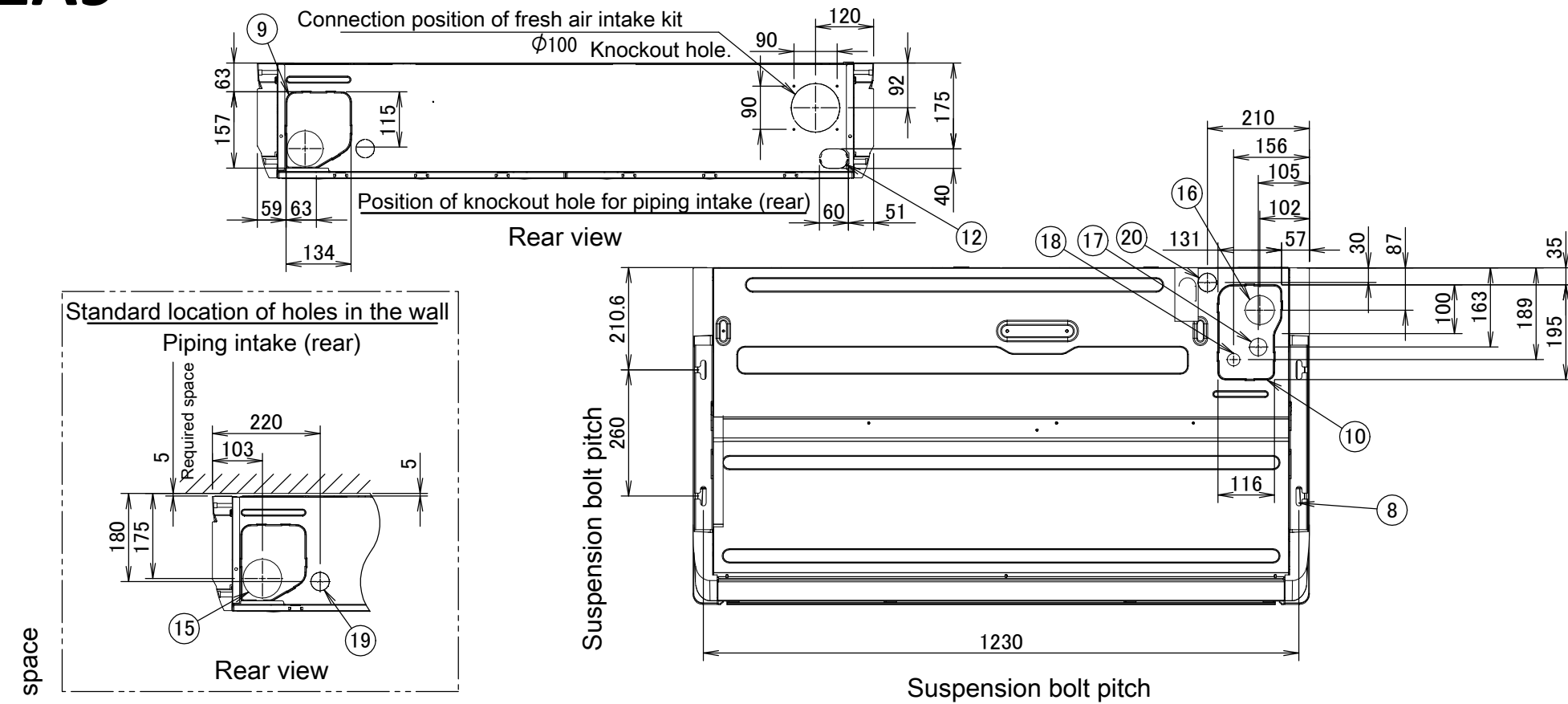
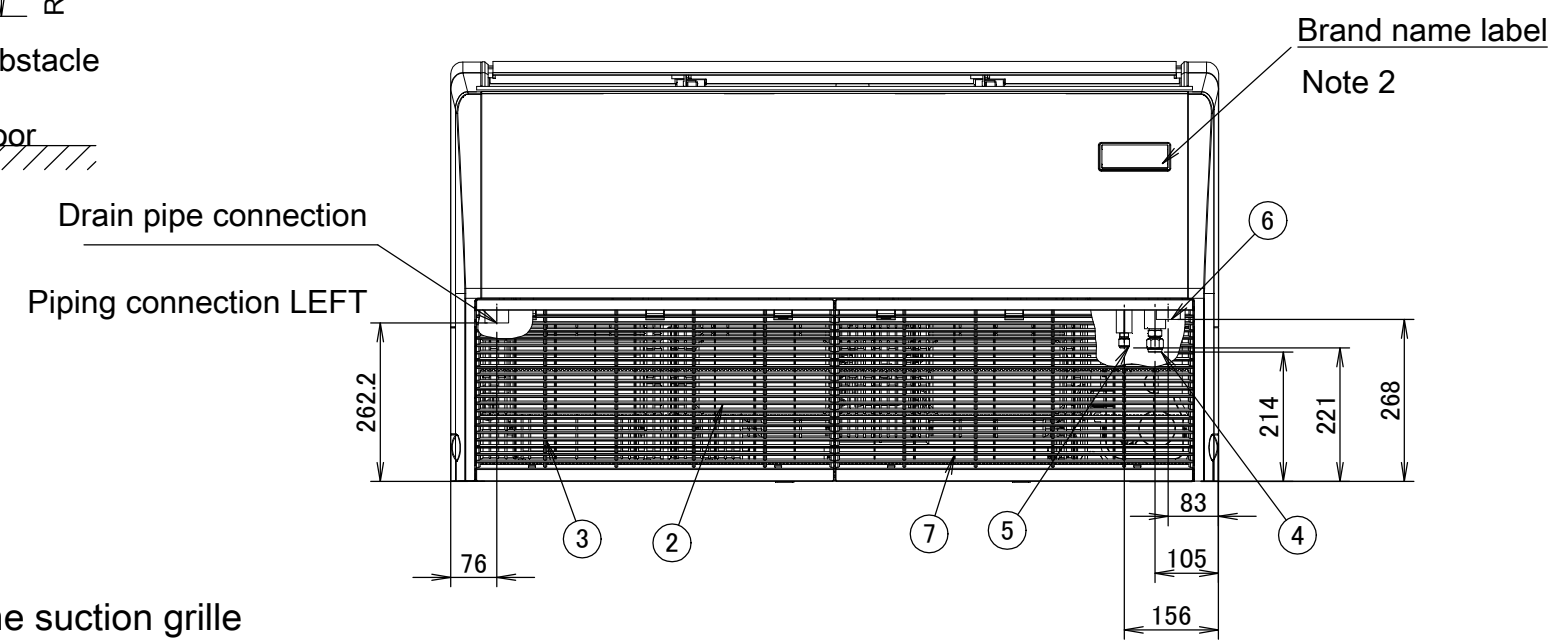
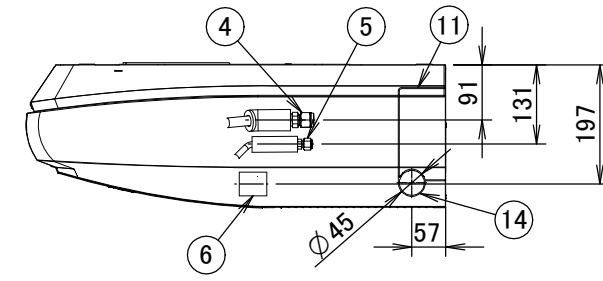
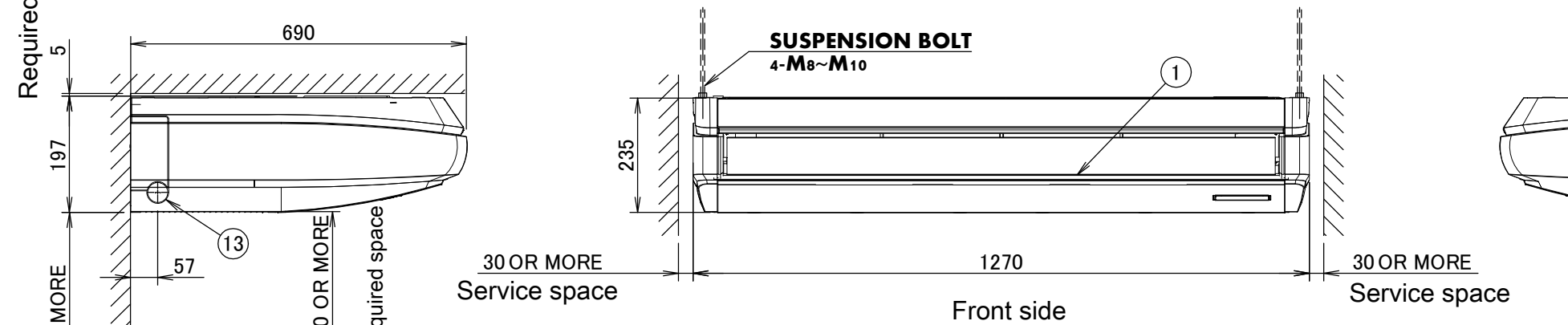


FHA71A9



Number	Name	Description
1	Air discharge grille	
2	Air suction grille	
3	Air filter	
4	Gas pipe	$\Phi 15,9$ FLARE
5	Liquid pipe	$\Phi 9,5$ FLARE
6	Drain pipe connection	VP20
7	Terminal block with earth terminal Located inside of the unit	M4
8	Metal hanger	
9	Position of knockout hole	Rear side
10	Position of knockout hole	Top
11	Piping intake (right)	Knockout hole.
12	Drain piping intake (left-rear)	Knockout hole.
13	Drain piping intake (left)	Knockout hole.
14	Drain piping intake (right)	Knockout hole.
15	Standard location of holes in the wall Piping intake (rear)	$\Phi 100$
16	Drain piping intake (top)	$\Phi 60$
17	Gas piping intake (top)	$\Phi 36$
18	Liquid piping intake (top)	$\Phi 26$
19	Power supply wiring and control wiring intake (rear)	$\Phi 29$
20	Power supply wiring and control wiring intake (top)	$\Phi 29$



- Notes
- 1) Location of nameplate
Bottom of the fan housing inside the suction grille
 - 2) When installing a wireless controller, there will be a receiver on this location.
For details, see the drawing of the wireless controller.
 - 3) Do not place any objects under the indoor unit. In case of high humidity (>80%), clogged drain outlets, or dirty air filters, condensate may drop out.

3D109222