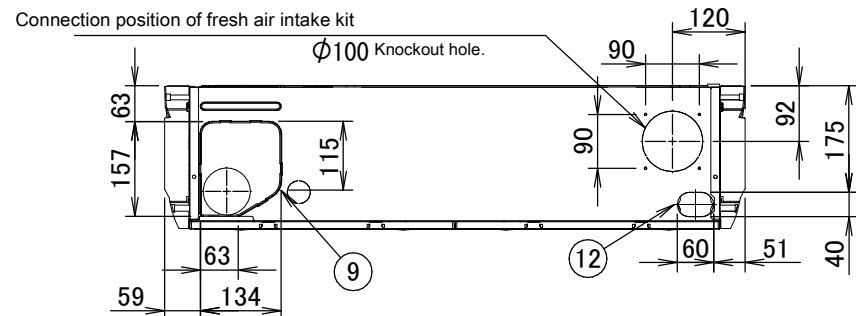
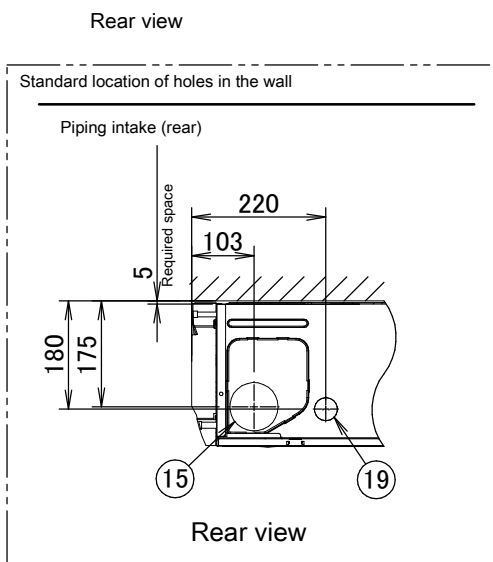


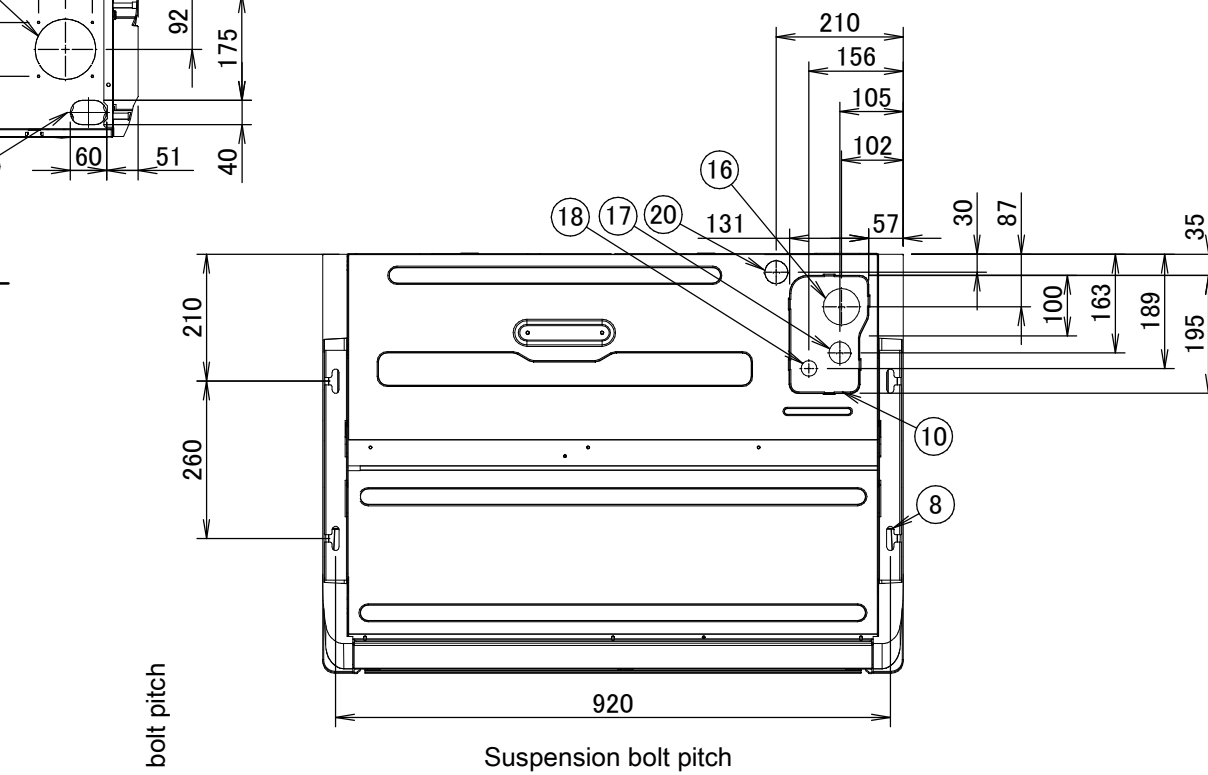
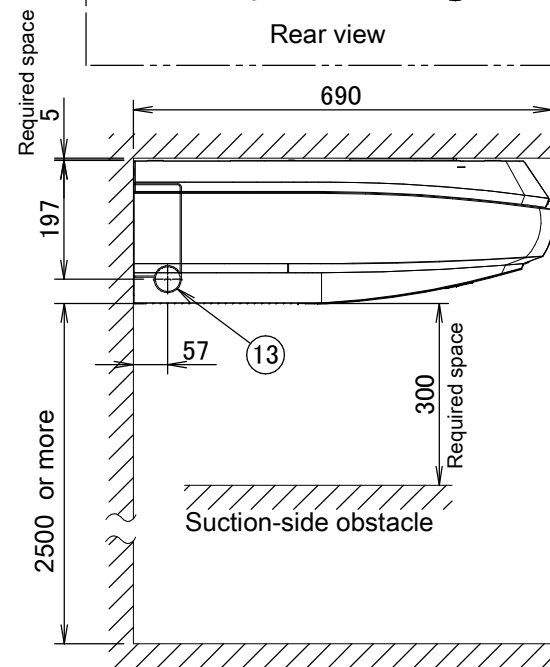
FHA50A



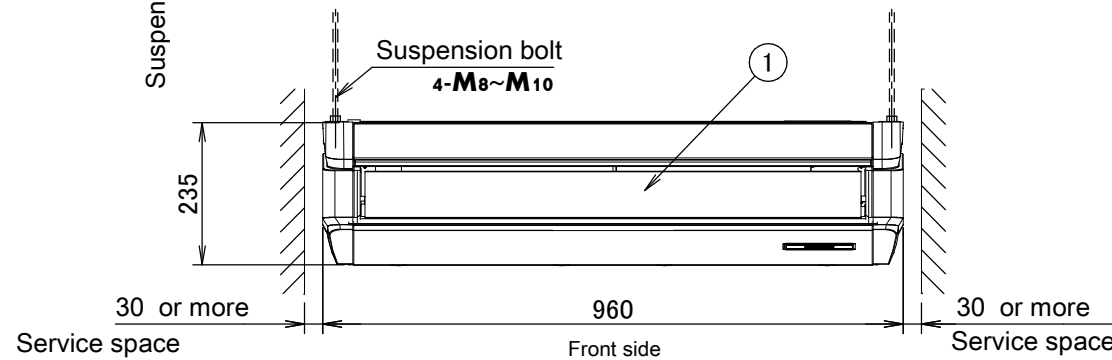
Position of knockout hole for piping intake (rear)



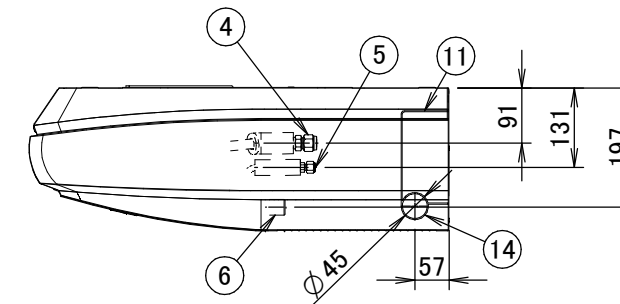
Rear view



Suspension bolt pitch



Front side



Number	Name	Description
1	Air discharge grille	
2	Air suction grille	
3	Air filter	
4	Gas pipe connection Ø12,7 flare	
5	Liquid pipe connection Ø6,4 flare	
6	Drain pipe connection	VP20
7	Terminal block with earth terminal Located inside of the unit	M4
8	Metal hanger	
9	Position of knockout hole	Rear side
10	Position of knockout hole	Top
11	Piping intake (right)	Knockout hole.
12	Drain piping intake (left-rear)	Knockout hole.
13	Drain piping intake (left)	Knockout hole.
14	Drain piping intake (right)	Knockout hole.
15	Standard location of holes in the wall Piping intake (rear)	Ø100
16	Drain piping intake (top)	Ø60
17	Gas piping intake (top)	Ø36
18	Liquid piping intake (top)	Ø26
19	Power supply wiring and control wiring intake (rear)	Ø29
20	Power supply wiring and control wiring intake (top)	Ø29

Notes

- 1) Location of nameplate
Bottom of the fan housing inside the suction grille
- 2) When installing a wireless controller, there will be a receiver on this location. For details, see the drawing of the wireless controller.
- 3) Do not place any objects under the indoor unit. In case of high humidity (>80%), clogged drain outlets, or dirty air filters, condensate may drop out.

