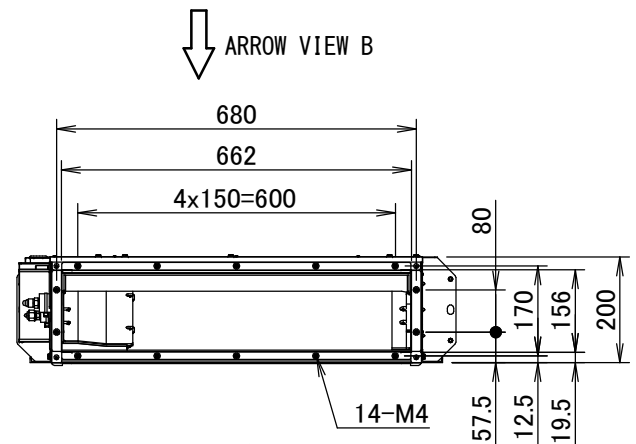
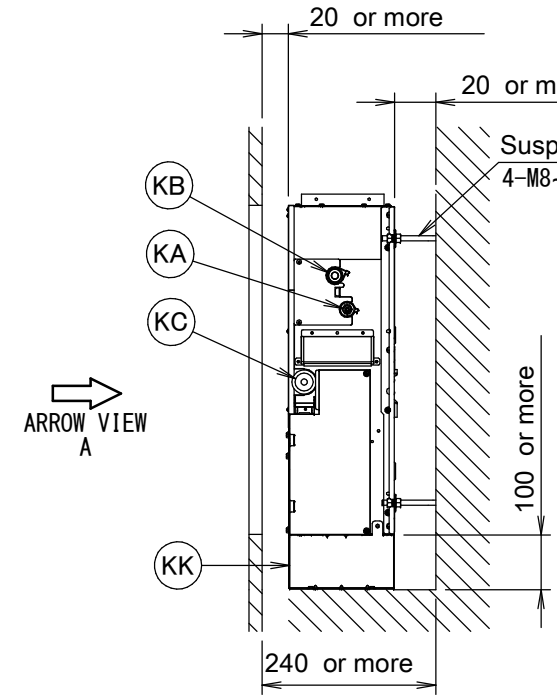
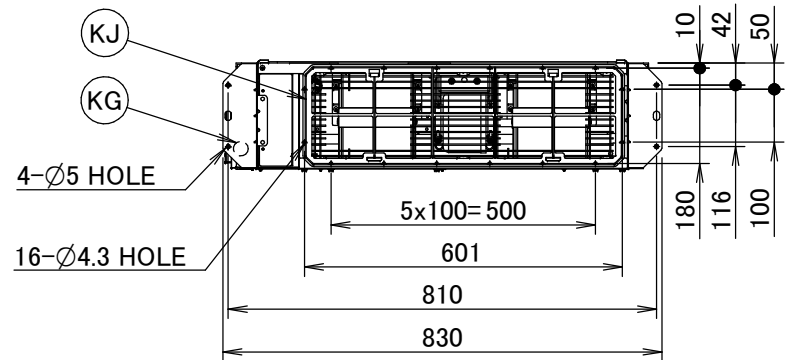
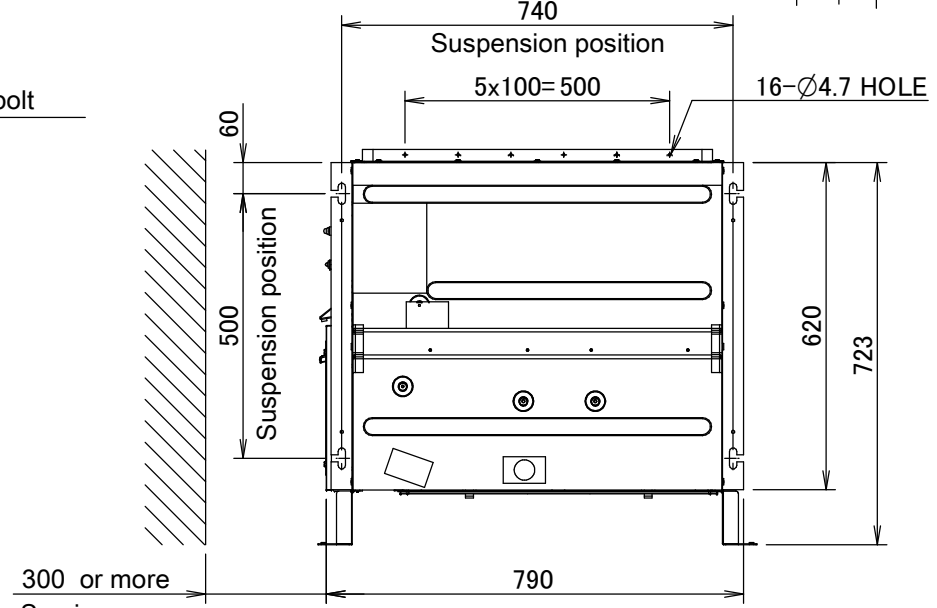


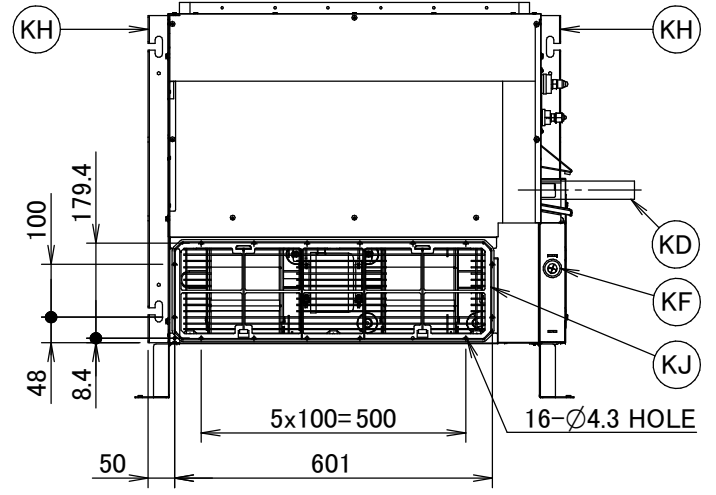
ARROW VIEW A
Inspection door



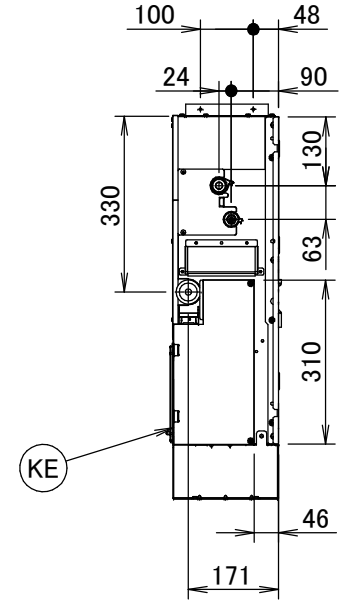
ARROW VIEW B



Bottom suction



ARROW VIEW B
Front suction



Applicable models
FNQ25/35A2VEB
FNA25/35A2VEB

Item	Name	Description
KA	Liquid pipe connection port	Ø6.40 flared connection
KB	Gas pipe connection port	Ø9.50 flared connection
KC	Drain pipe connection	VP20 (OD Ø26, ID Ø20)
KD	Drain hose	ID Ø25
KE	Control box	/
KF	Transmission line	/
KG	Power supply connection	/
KH	Suspension bracket	/
KJ	Air filter	/
KK	Mounting foot	/

- Notes
1. When installing optional accessories, refer to their respective documentation.
 2. The ceiling depth varies according to the documentation of the specific system.