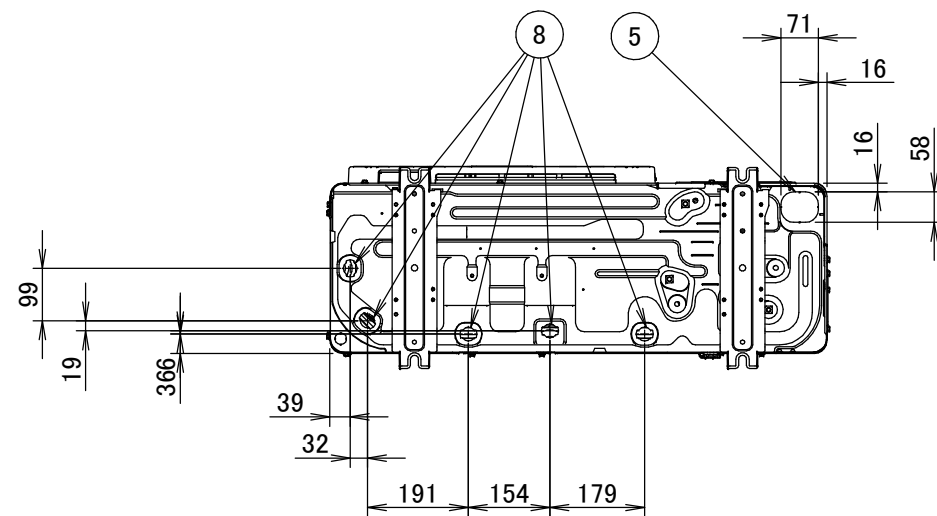
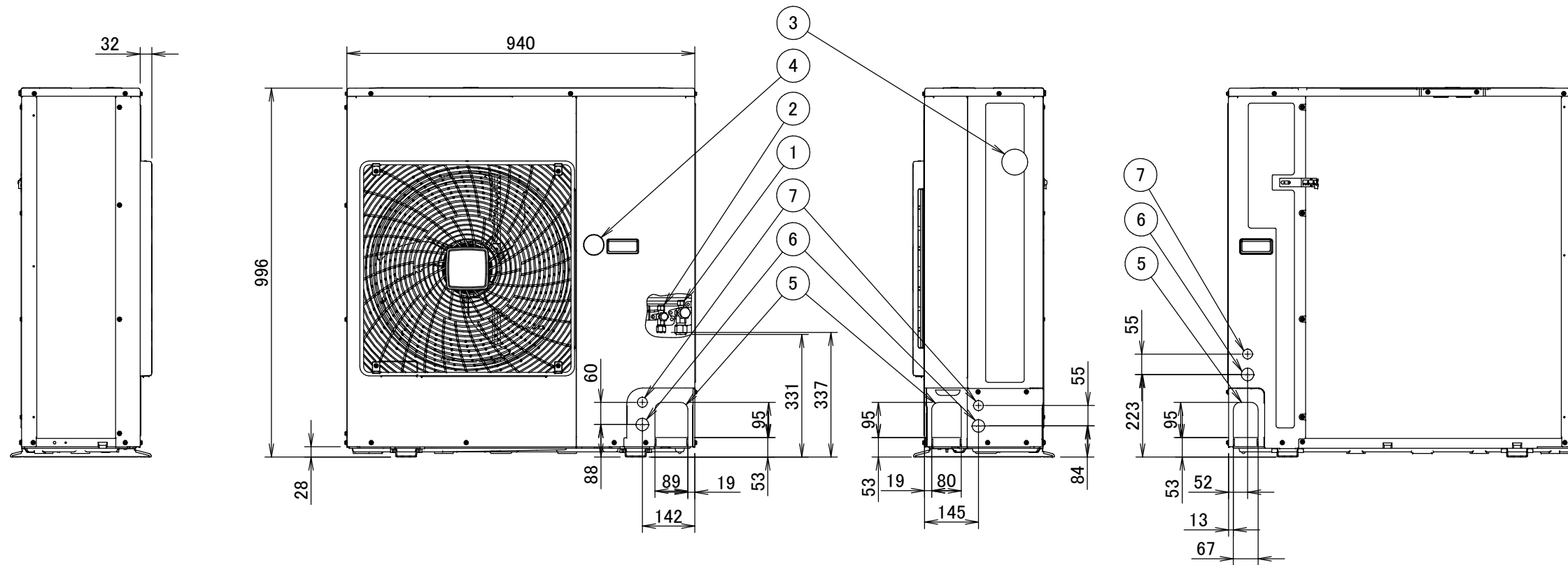
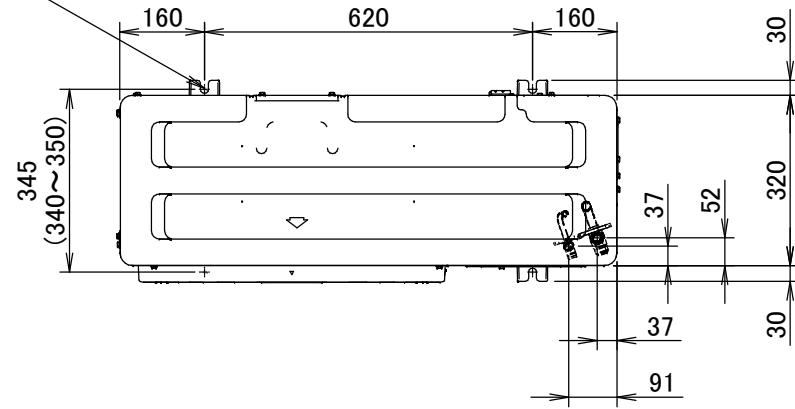


RZAG71LV1

4 holes for anchor bolts
M12



- ① Gas pipe connection $\text{Ø}15.9$ flare
- ② Liquid pipe connection $\text{Ø}9.5$ flare
- ③ Service port (in the unit)
- ④ Electronic connection and grounding terminal M5 (in the switch box)
- ⑤ Refrigerant piping intake
- ⑥ Power supply wiring intake (knockout hole $\text{Ø}34$)
- ⑦ Control wiring intake (knockout hole $\text{Ø}27$)
- ⑧ Drain outlet

3D103893