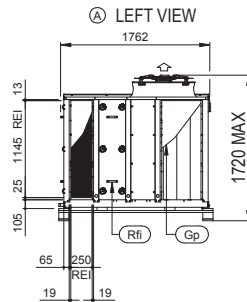
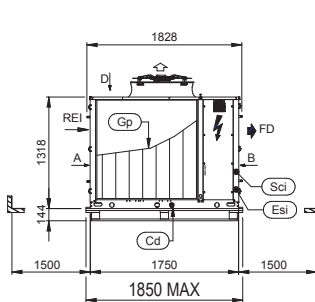
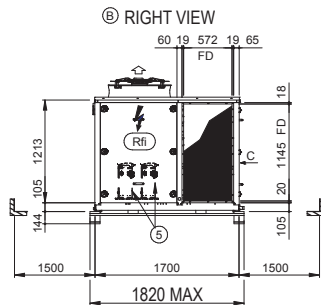
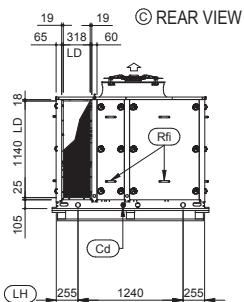
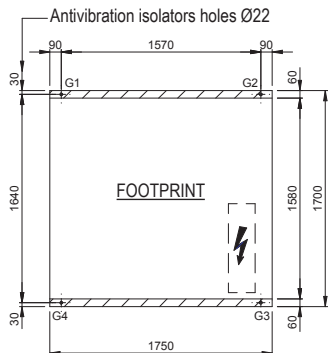
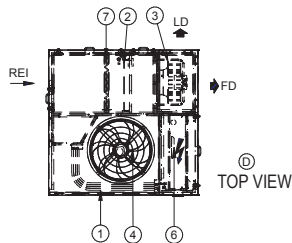


# UATYQ20ABAY1



## DENOMINATION

- 1) Condensing coil
- 2) Evaporating coil
- 3) Discharge fan
- 4) Condensing fan
- 5) Compressor
- 6) Electrical panel



Discharge air direction → Intake air direction →  
 FD= Frontal discharge REI=Rear intake  
 LD= Left discharge

Gp	GRID PROTECTIONS
Cd	CONDENSATE DRAIN
Rfi	REMOVE FOR INSPECTION
Esi	ELECTRICAL SUPPLY INLET
Sci	SIGNAL CABLES INLET
Lh	LIFTING HOLES Ø55

	[Kg]				
OPERATING WEIGHT	G1	G2	G3	G4	ANTIVIBRATION ISOLATOR CODE
672	122	210	235	105	UATYQAVM1