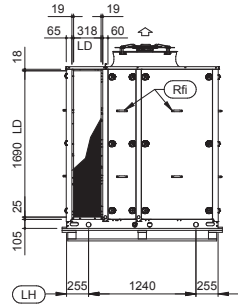
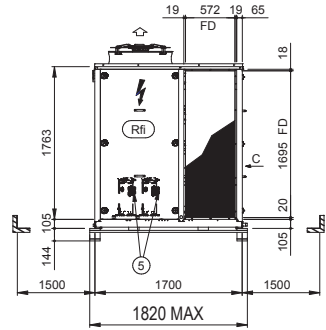


UATYQ25-30ABAY1

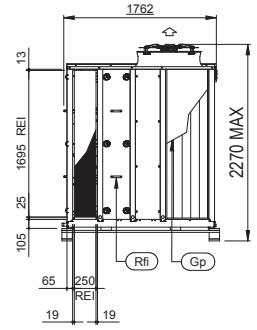
© REAR VIEW



© RIGHT VIEW

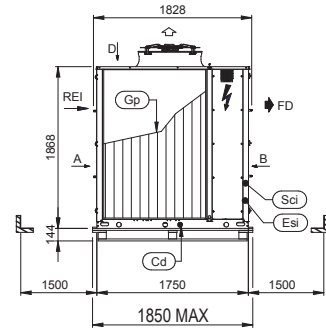


© LEFT VIEW

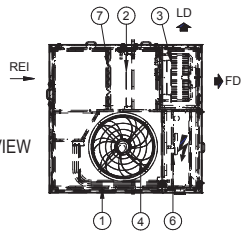


DENOMINATION

- 1) Condensing coil
- 2) Evaporating coil
- 3) Discharge fan
- 4) Condensing fan
- 5) Compressor
- 6) Electrical panel
- 7) EU4 air filter

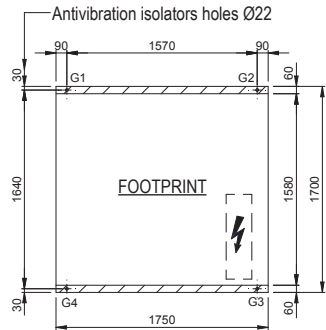


© TOP VIEW



Discharge air direction →
 FD= Frontal discharge
 LD= Left discharge

Intake air direction →
 REI=Rear intake



Gp	GRID PROTECTIONS
Cd	CONDENSATE DRAIN
Rfi	REMOVE FOR INSPECTION
Esi	ELECTRICAL SUPPLY INLET
Sci	SIGNAL CABLES INLET
Lh	LIFTING HOLES Ø55

	[Kg]				
OPERATING WEIGHT	G1	G2	G3	G4	ANTIVIBRATION ISOLATOR CODE
780	139	250	270	121	UATYQAVM1