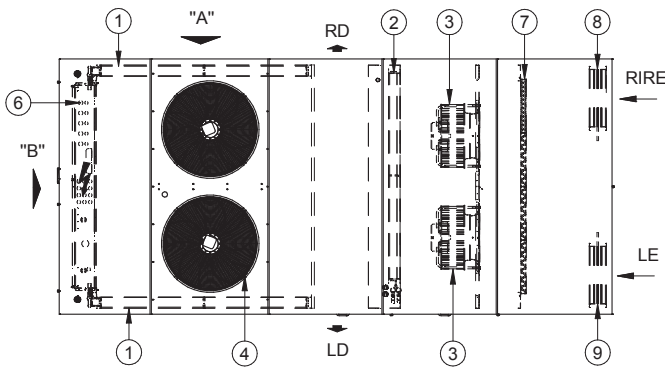
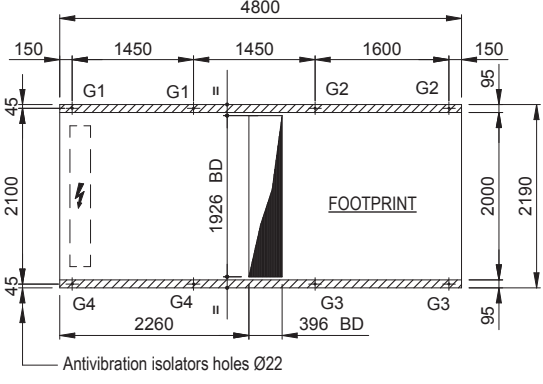
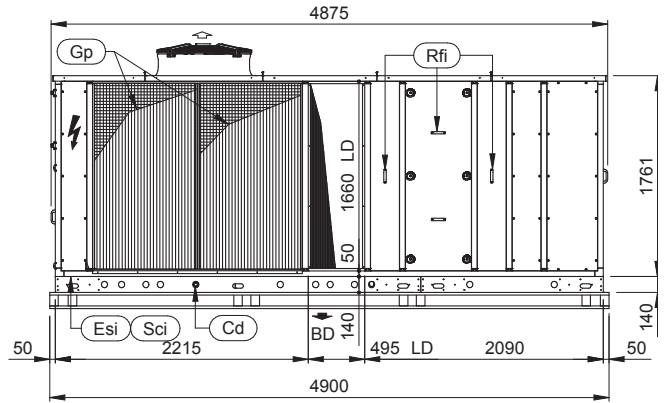
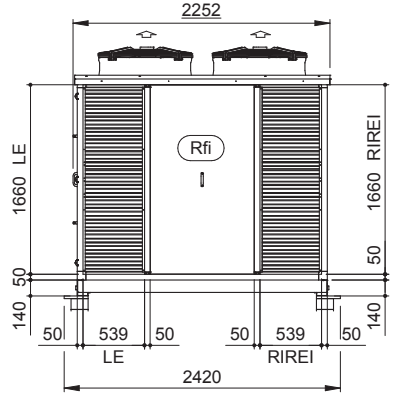
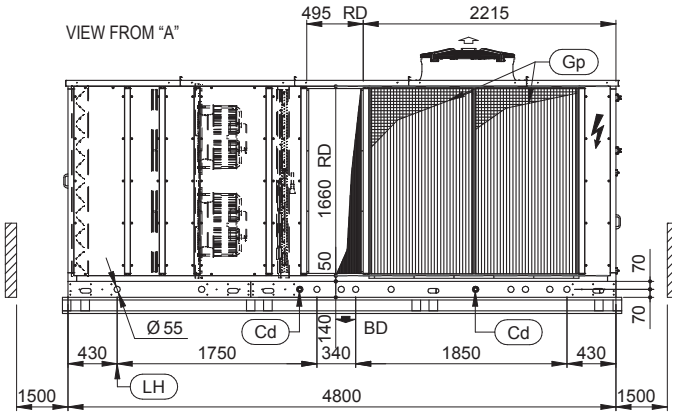
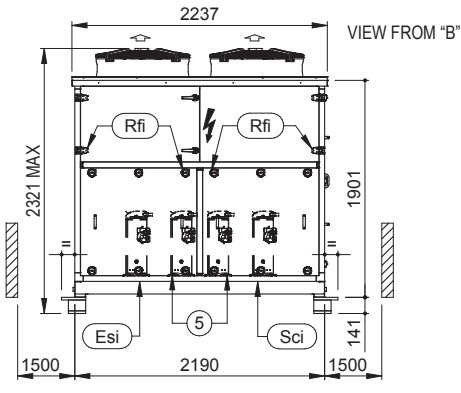


UATYQ90-100-115AFC2Y1



DENOMINATION

- 1) Condensing coil
- 2) Evaporating coil
- 3) Discharge fan
- 4) Condensing fan
- 5) Compressor
- 6) Electrical panel
- 7) EU4 air filter
- 8) Damper intake
- 9) External air Damper

Discharge air direction →
 BD=Bottom discharge
 LD= Left discharge
 RD=Right discharge

Intake air direction →
 LE=Left external air
 RIREI=Right rear intake

Gp	GRID PROTECTIONS	Lh	LIFTING HOLES Ø55		CLEARANCES
Cd	CONDENSATE DRAIN	Rfi	REMOVE FOR INSPECTION	Esi	ELECTRICAL SUPPLY INLET
				Sci	SIGNAL CABLES INLET

	[Kg]					ANTIVIBRATION ISOLATOR CODE
	OPERATING WEIGHT	G1	G2	G3	G4	
UATYQ90AFC2Y1	1906	298	169	176	310	UATYQAVM1
UATYQ100AFC2Y1	1914	300	168	176	313	
UATYQ115AFC2Y1	1966	313	167	175	328	