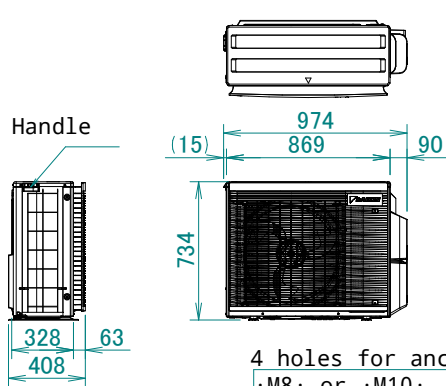


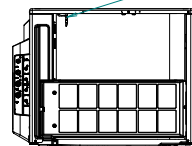
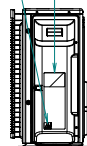
# 5MXM-A



Product liability label

Manufacturer label

Outdoor air temperature thermistor

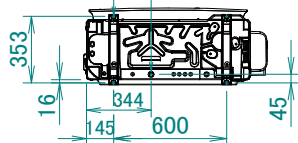


4 holes for anchor bolts

·M8· or ·M10·

Drain outlet

Connection hose (inside diameter: ·15.9·mm)



In case of removing the stop valve cover.

Terminal strip with earth terminal

Room ·E·  
Gas stop valve  
·ø15.9· CuT

Room ·E·  
Liquid stop valve  
·ø6.4· CuT

Room ·A·  
Gas stop valve  
·ø9.5· CuT

Caution label

Room ·A·  
Liquid stop valve  
·ø6.4· CuT

Room ·B·  
Gas stop valve  
·ø9.5· CuT

Room ·B·  
Liquid stop valve  
·ø6.4· CuT

Room ·C·  
Gas stop valve  
·ø12.7· CuT

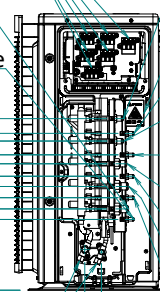
Room ·C·  
Liquid stop valve  
·ø6.4· CuT

Room ·D·  
Gas stop valve  
·ø15.9· CuT

Room ·D·  
Liquid stop valve  
·ø6.4· CuT

Service port 44 168

216  
188  
60/60/60/60  
57/57/57/57



Minimum space for air passage

Wall height on air outlet side < 1200 mm

