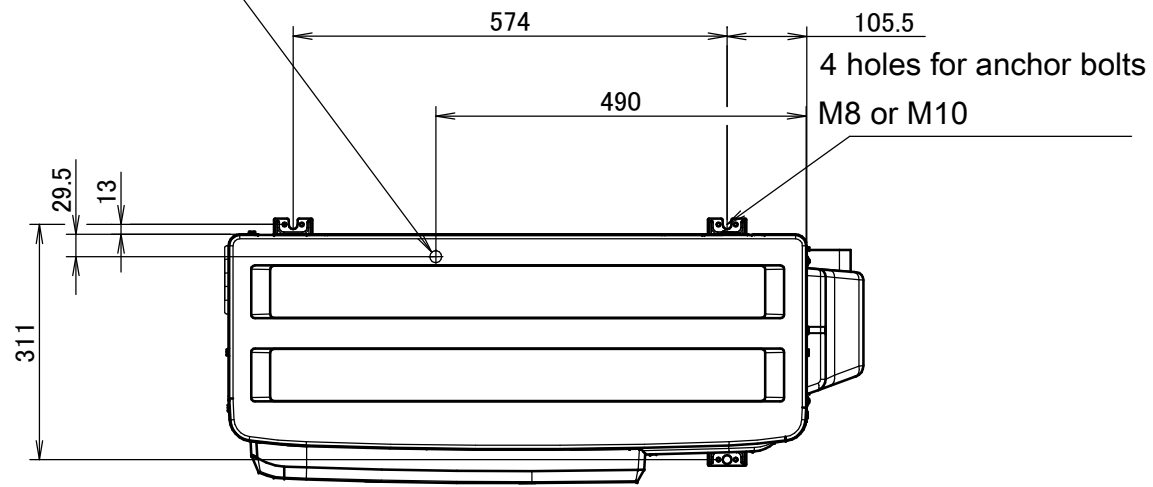


# 2AMXM50M

Drain outlet

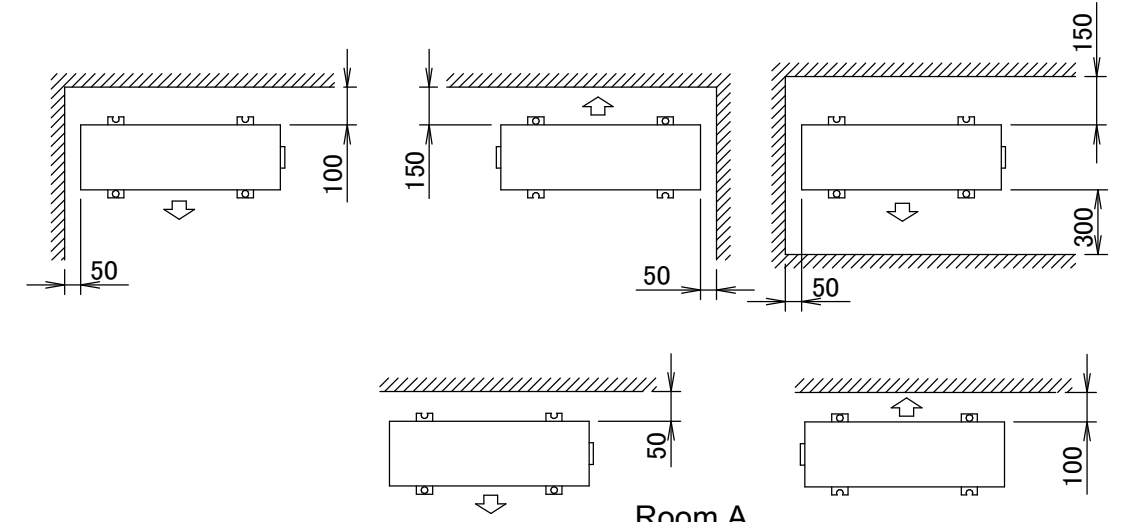
Connection hose (inside diameter: 15.9mm)



4 holes for anchor bolts  
M8 or M10

Minimum space for air passage

Wall height on air outlet side < 1200 mm



Brand name label

Terminal strip with earth terminal

Room A  
Liquid stop valve

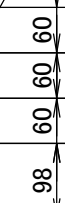
Ø6.4 CuT  
Gas stop valve

Ø9.5 CuT  
Room B  
Liquid stop valve

Ø6.4 CuT  
Gas stop valve

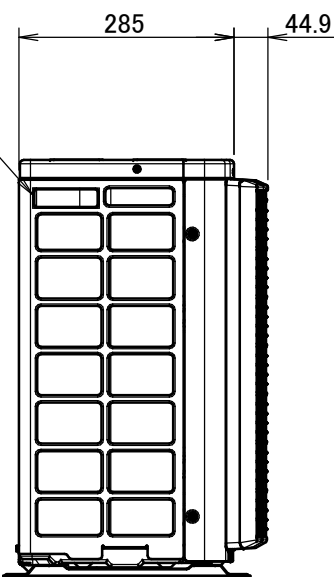
12.7 CuT

Service port

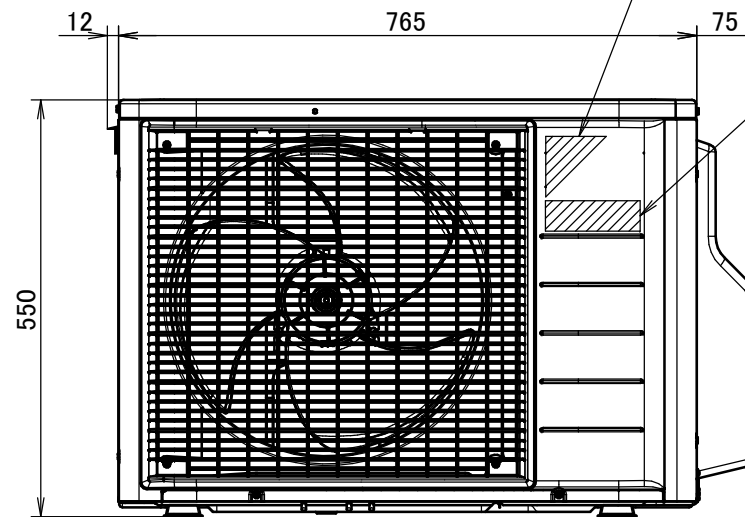


237.4

Handle



Nameplate



Caution Label

Nameplate

In case of removing the stop valve cover.

Outdoor air temperature thermistor

