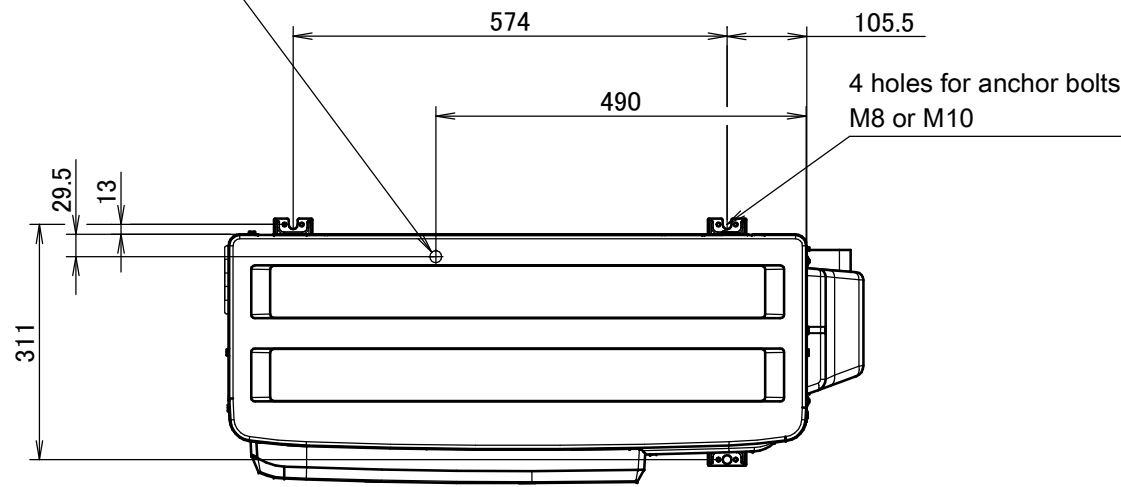


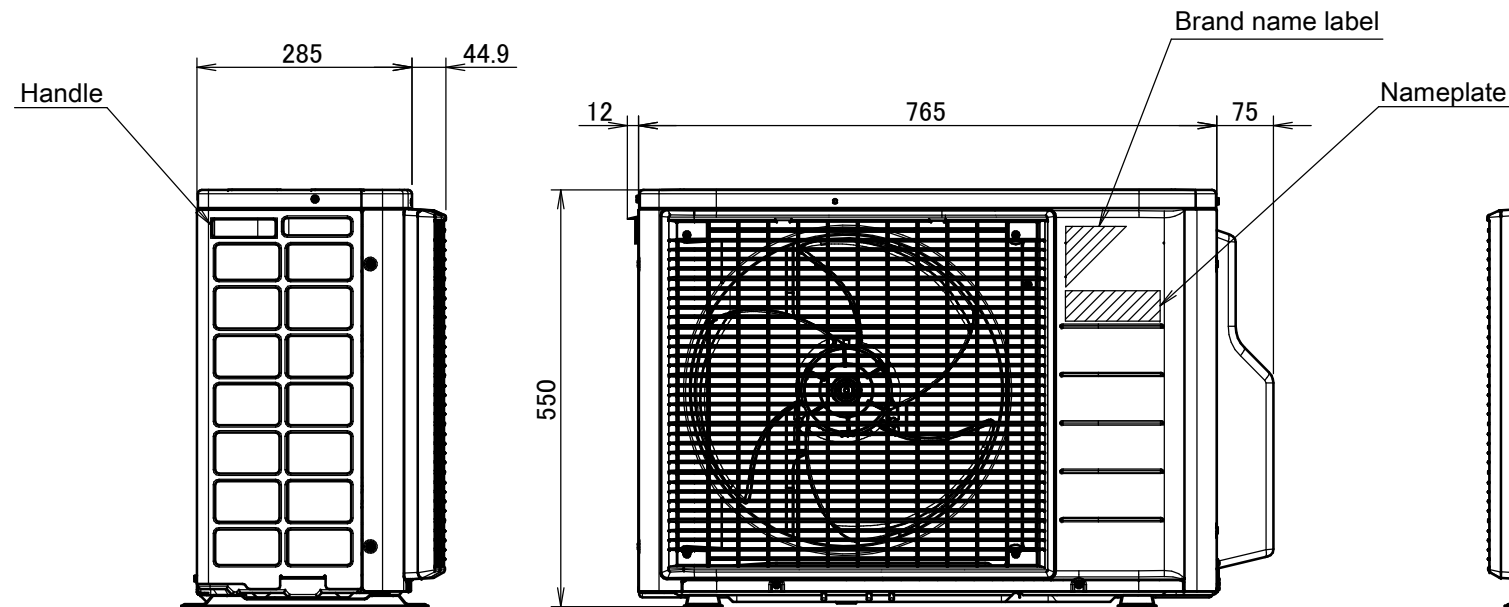
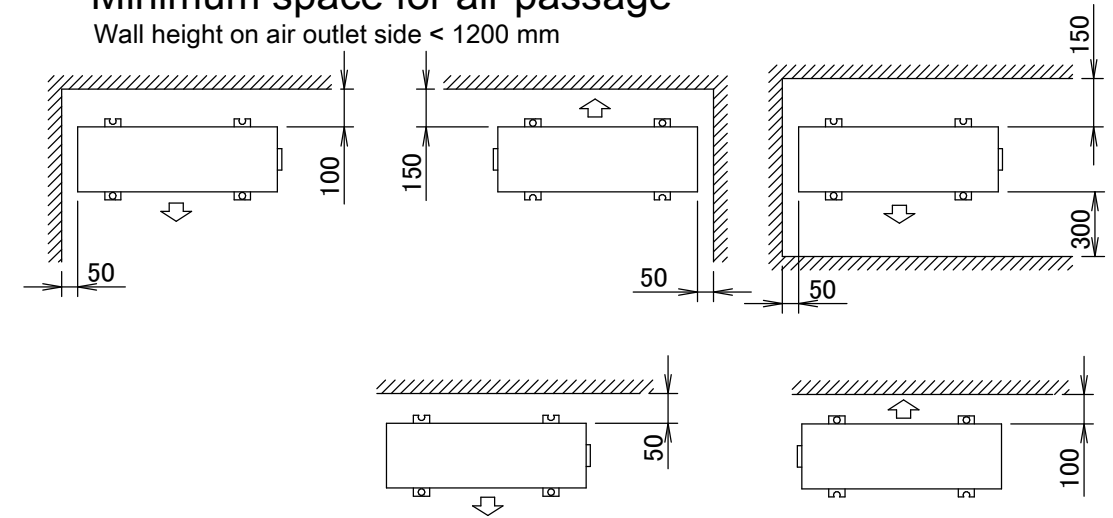
2AMXM50M

Drain outlet
 Connection hose (inside diameter: 15.9mm)



Minimum space for air passage

Wall height on air outlet side < 1200 mm



Terminal strip with earth terminal

