

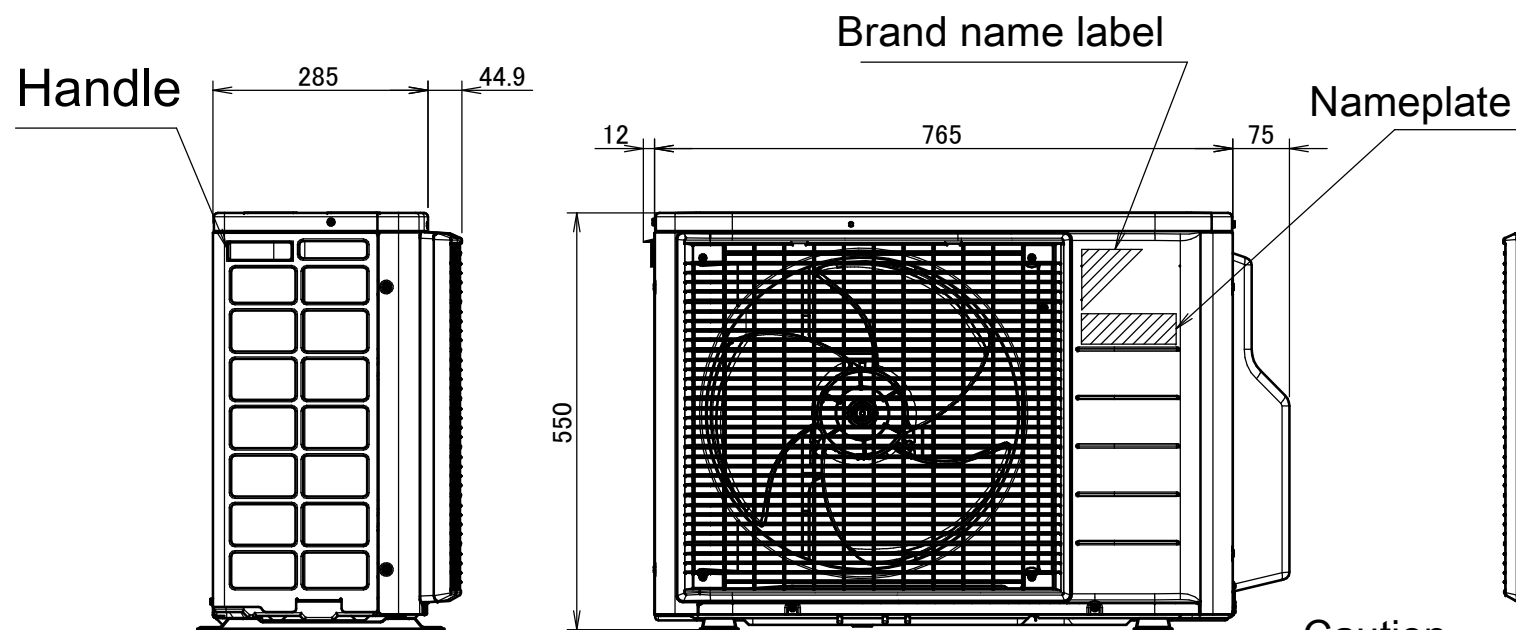
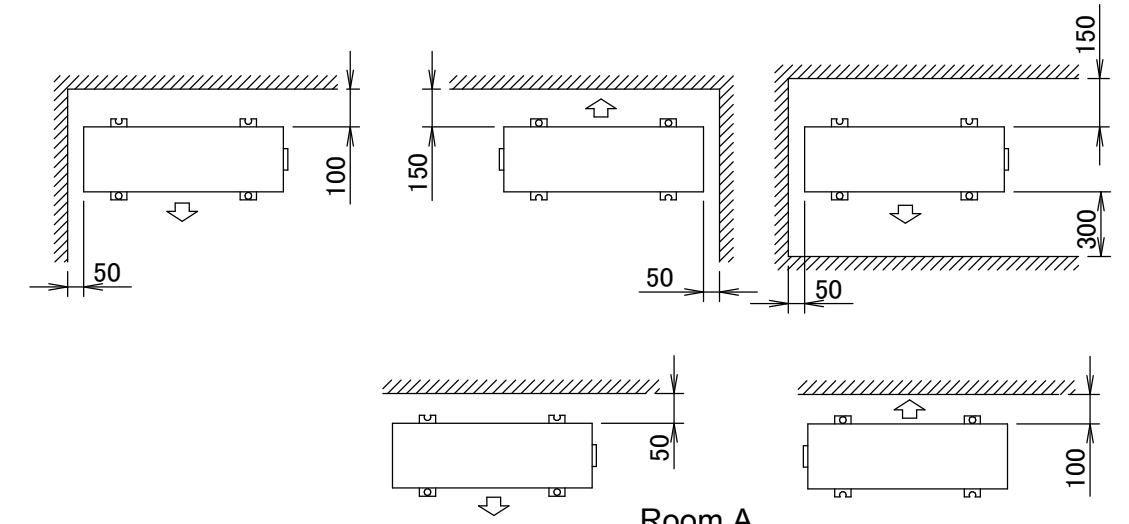
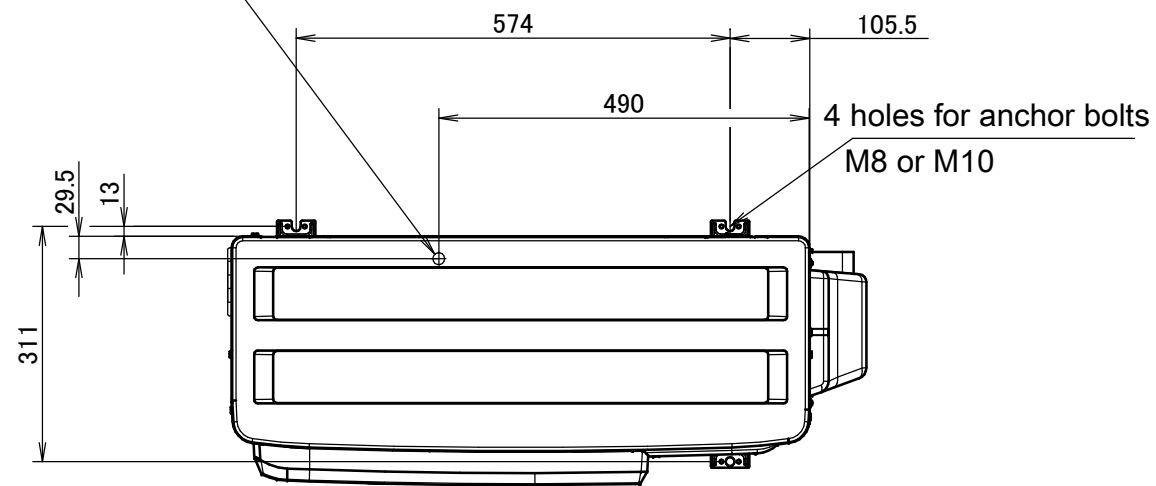
2MXM-M9

Drain outlet

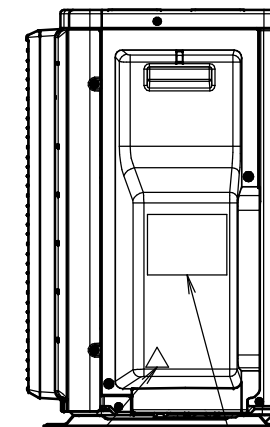
Connection hose (inside diameter: 15.9mm)

Minimum space for air passage

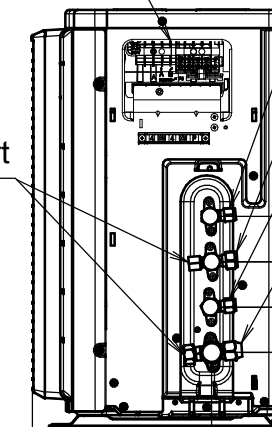
Wall height on air outlet side < 1200 mm



Terminal strip with earth terminal



Service port



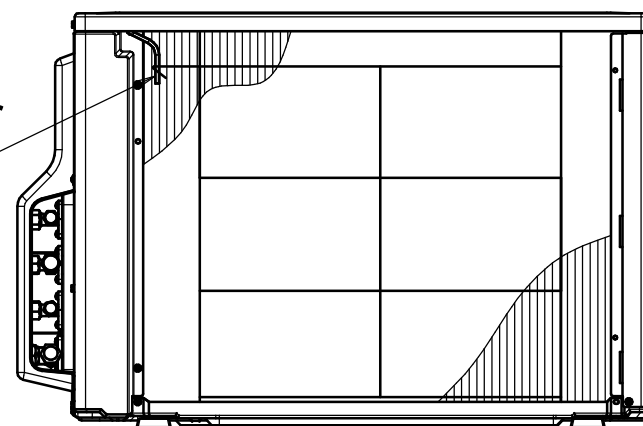
Room A
Liquid stop valve

Ø6.4 CuT
Gas stop valve

Ø9.5 CuT
Room B
Liquid stop valve

Ø6.4 CuT
Gas stop valve
12.7 CuT

Outdoor air temperature thermistor



In case of removing the stop valve cover.