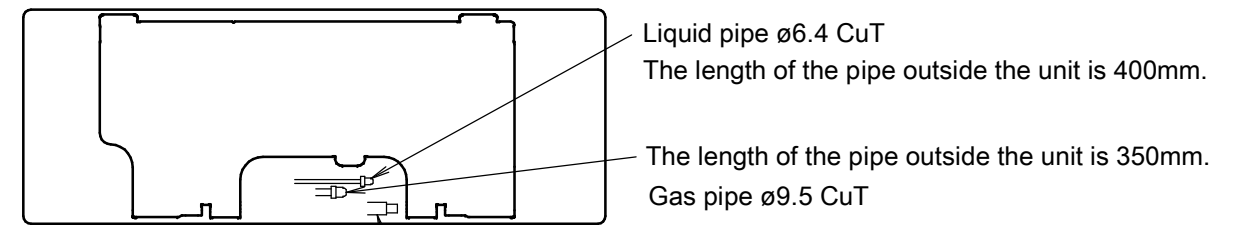
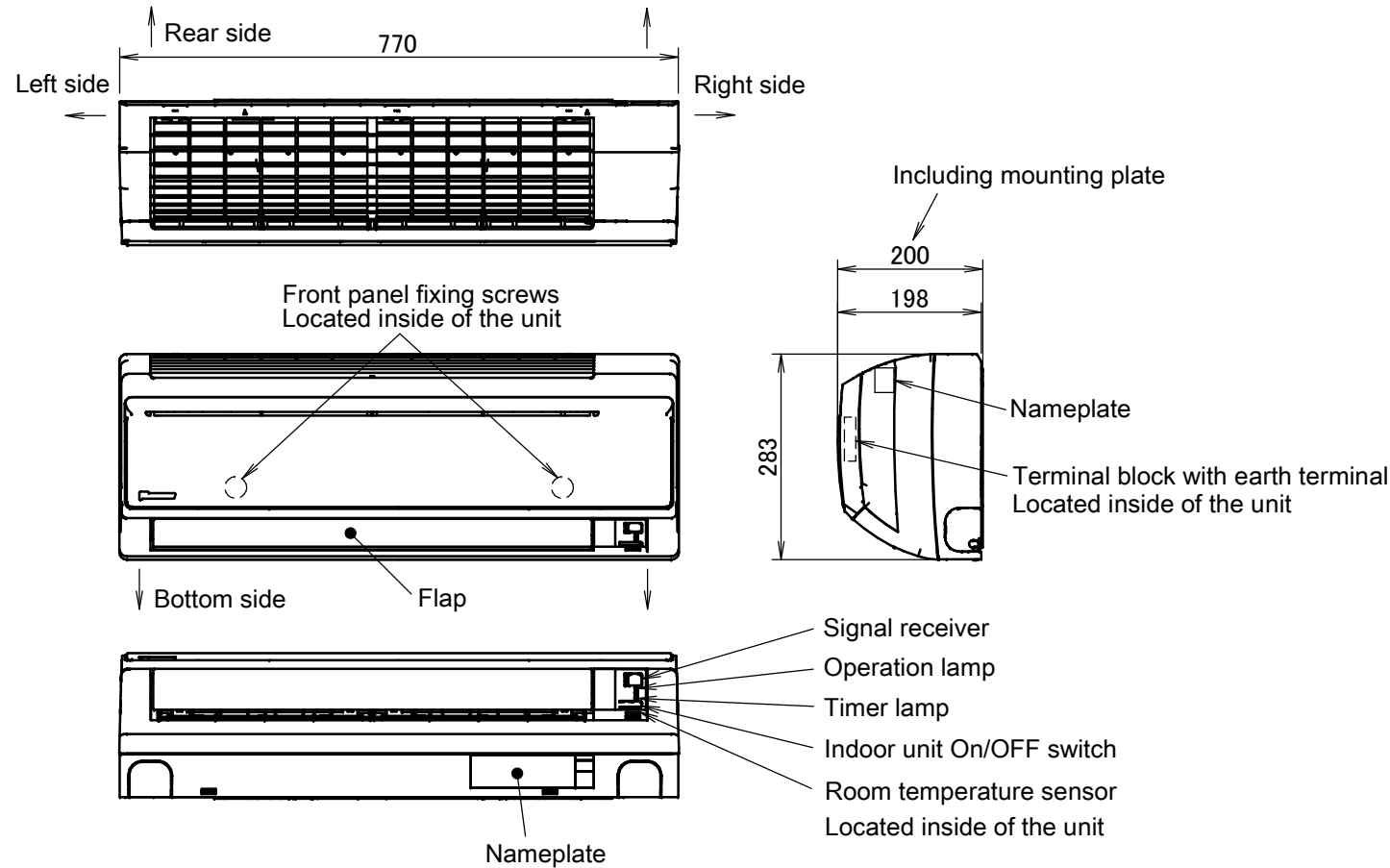
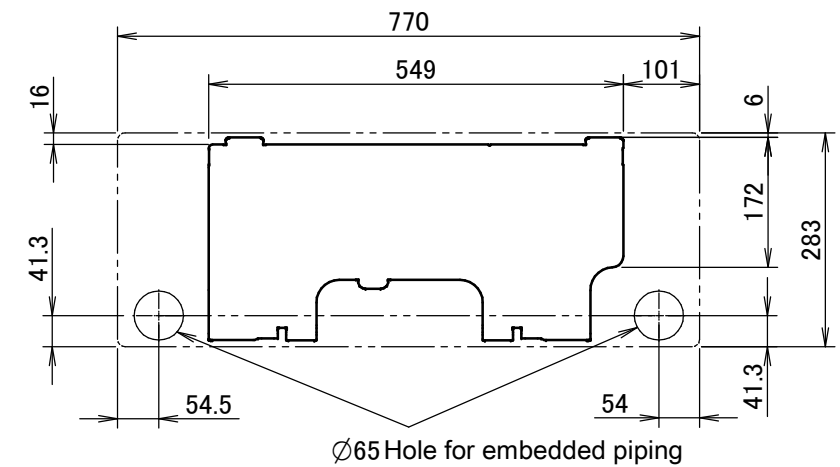


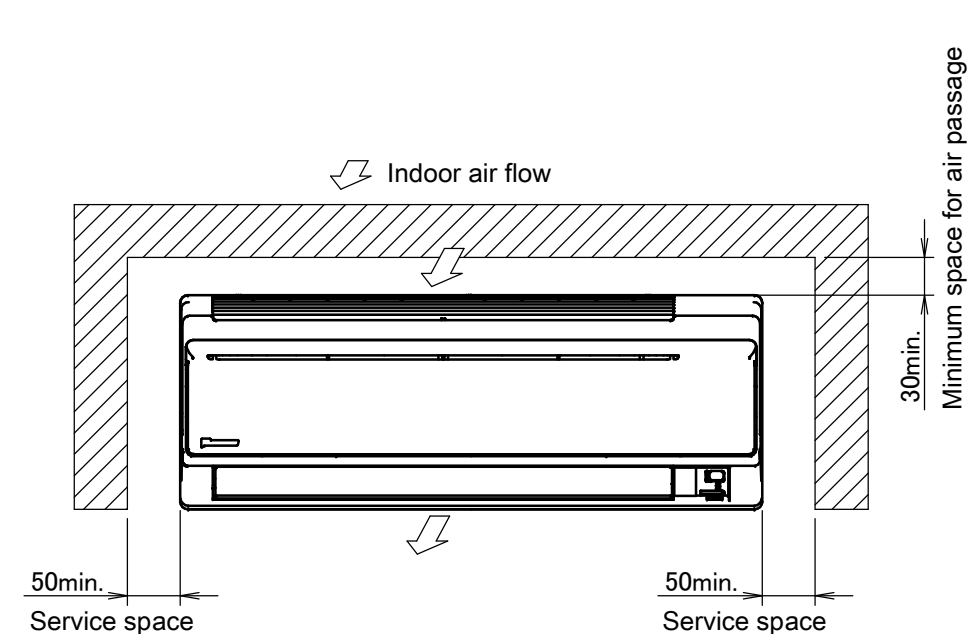
The (→) mark shows the piping direction.



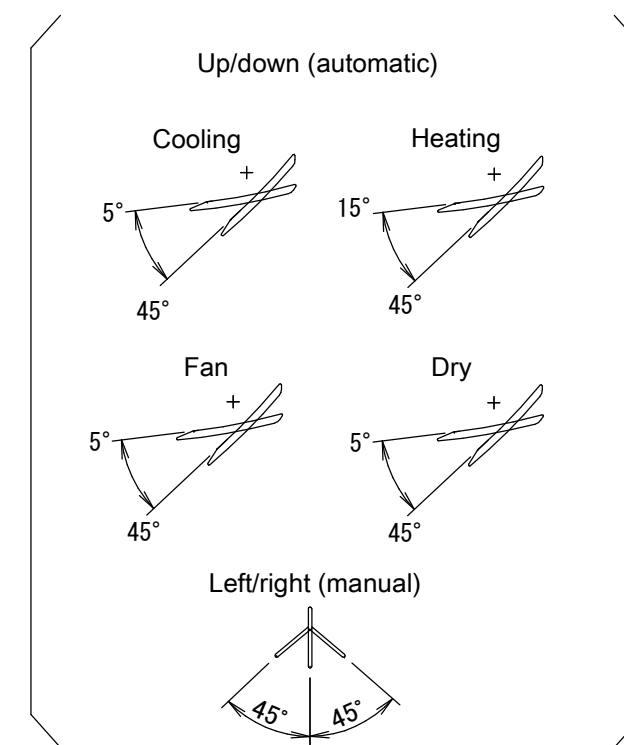
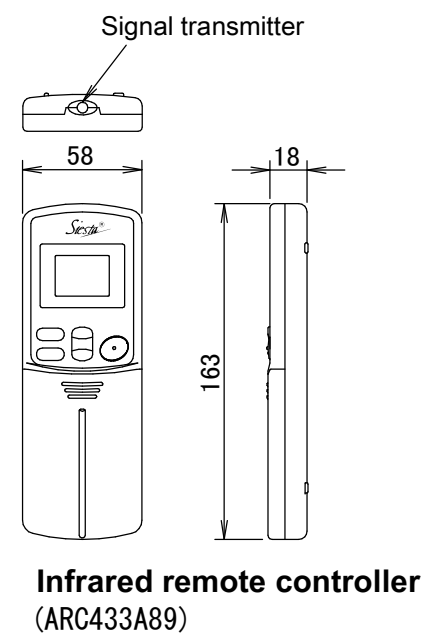
Drain hose
Connecting part
Inside diameter: $\phi 14$ mm
Outside diameter: $\phi 16$ mm
The length of the connection hose outside the unit is 450mm.



Standard location of holes in the wall



Required space for service and ventilation



Blade angle