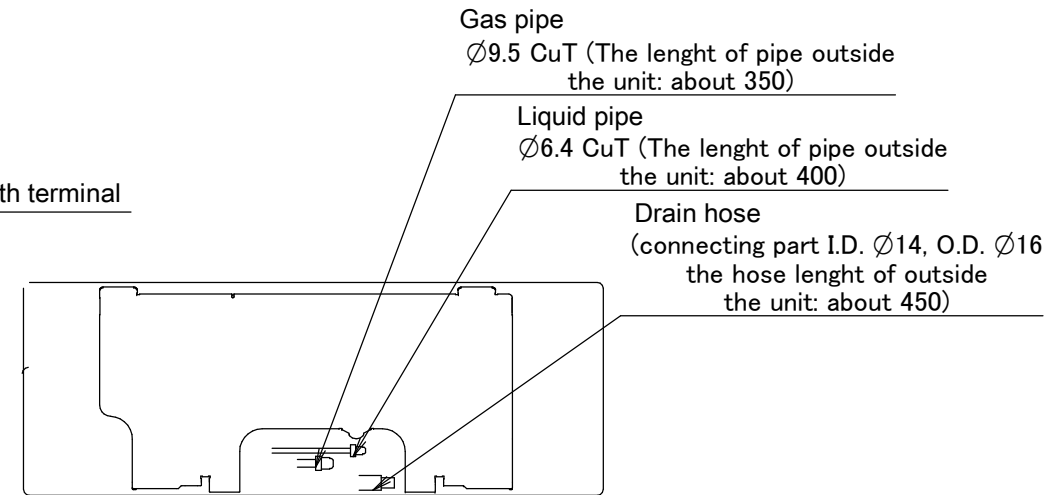
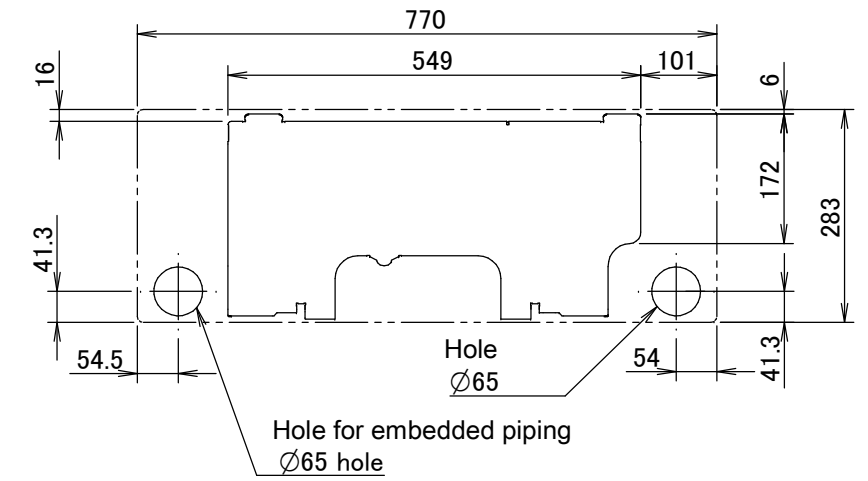


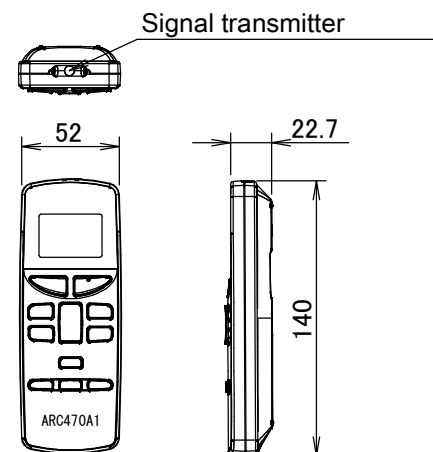
- Signal receiver
- Operation lamp
- Timer lamp
- Indoor unit On/OFF switch
- Room temperature sensor

Standard location of holes in the wall

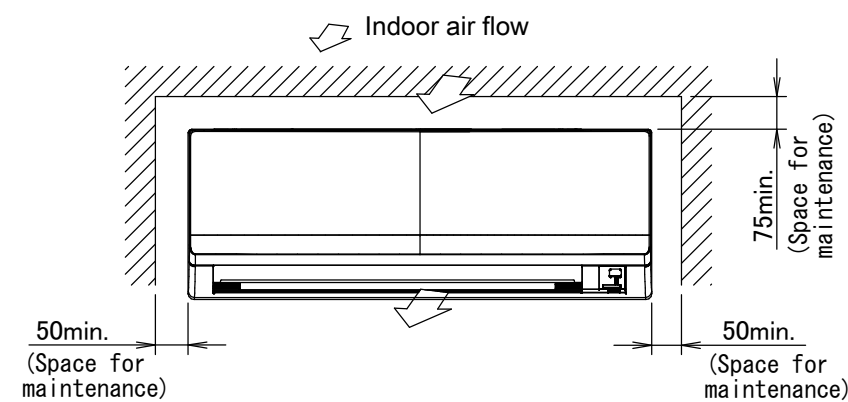


Wireless remote control

ARC470A1



Required installation space



Blade angle

