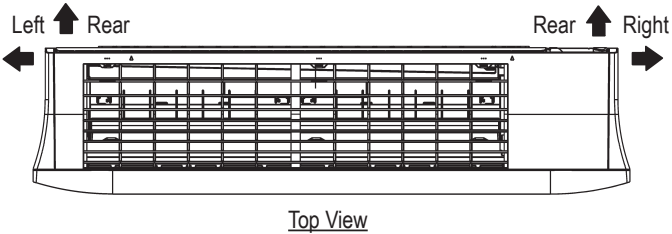
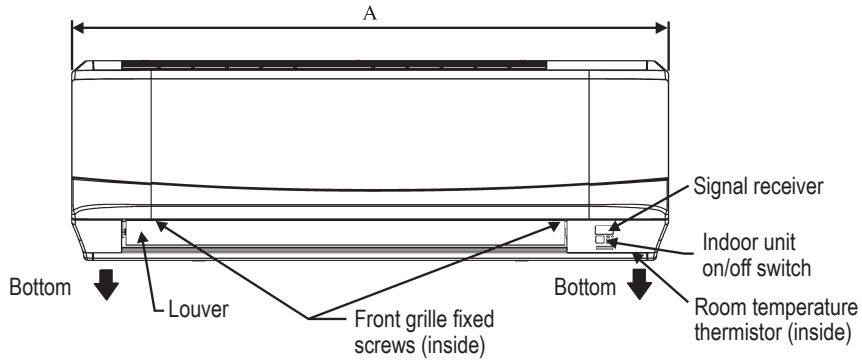


ATXC-A

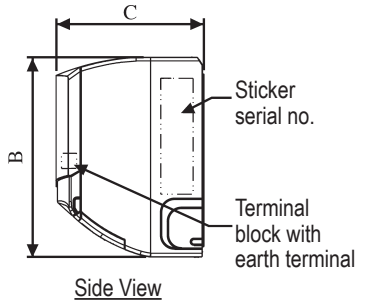
The mark (→) shows piping direction



Top View



Front View



Side View