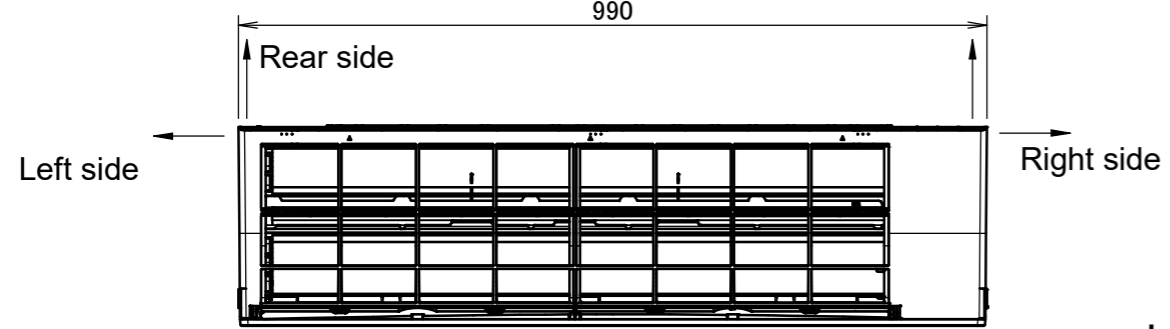
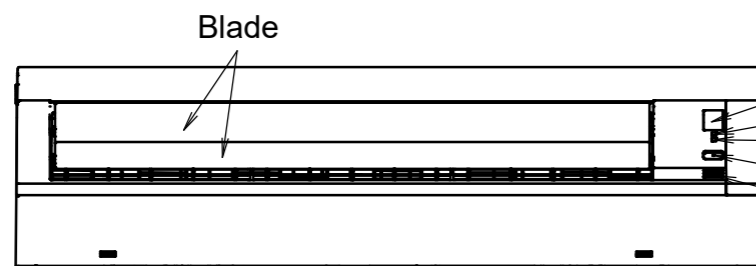
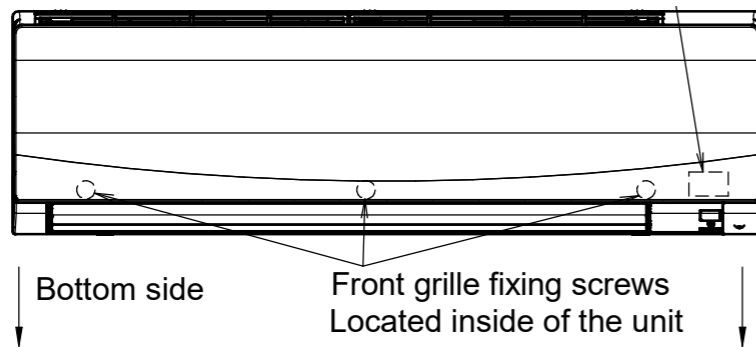


ATXF50-71A

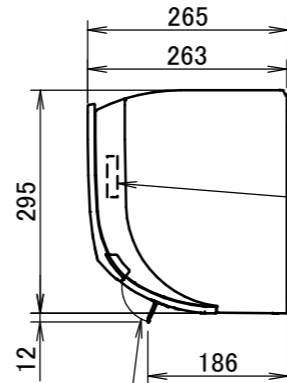
The → mark shows the piping direction.



Nameplate
Located inside of the unit



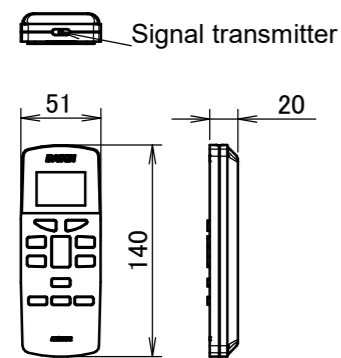
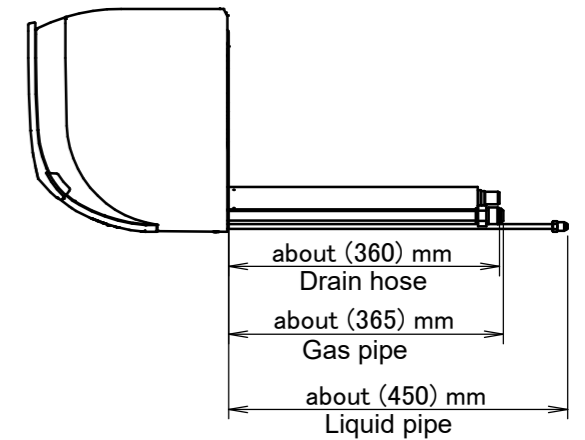
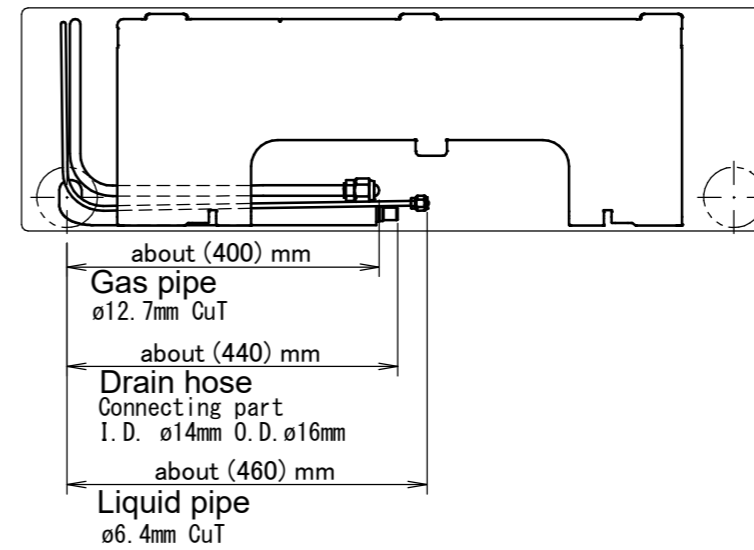
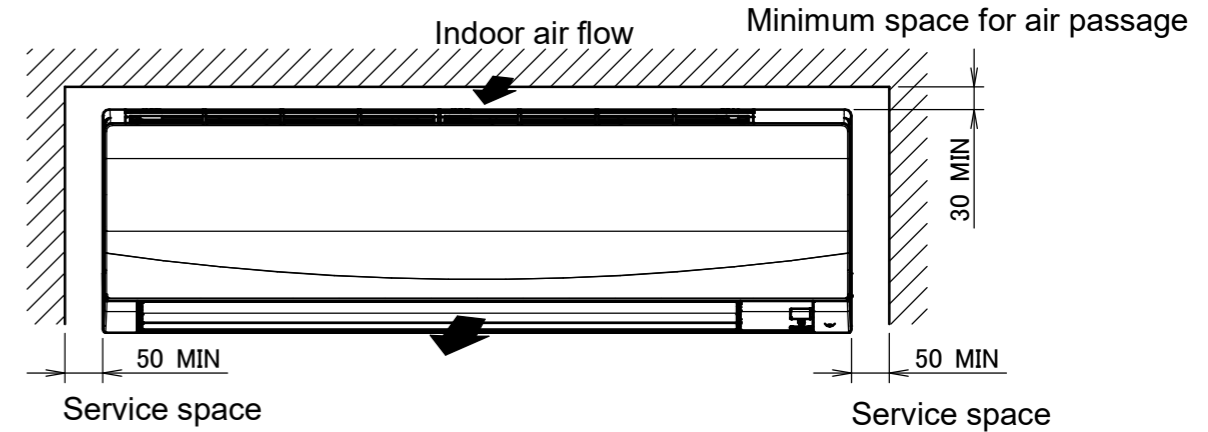
Including mounting plate



Blade angle

Signal receiver
Operation lamp
Timer lamp
Indoor unit On/OFF switch
Room temperature sensor
Located inside of the unit

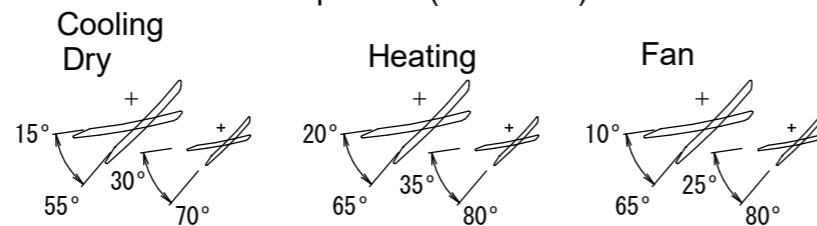
Required space for service and ventilation



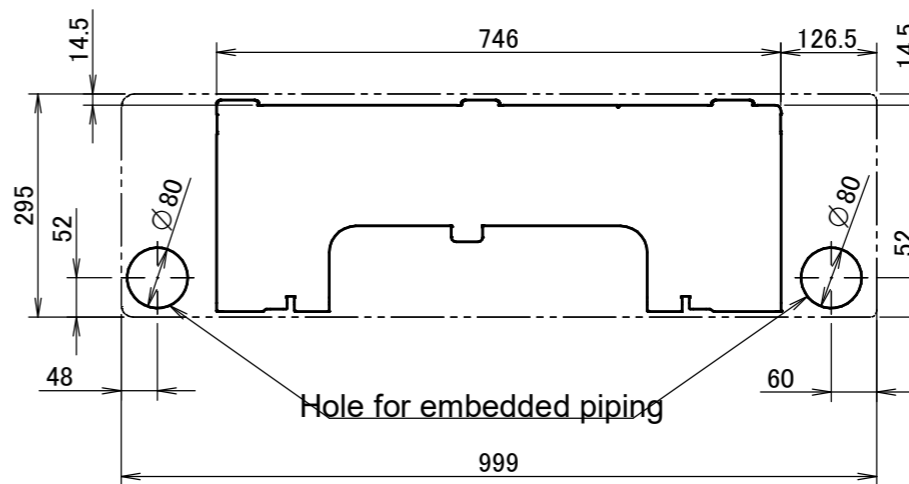
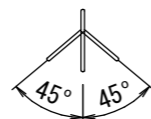
Wireless remote control
(ARC470A1)

Blade angle

Up/down (automatic)



Left/right (manual)



Standard location of holes in the wall