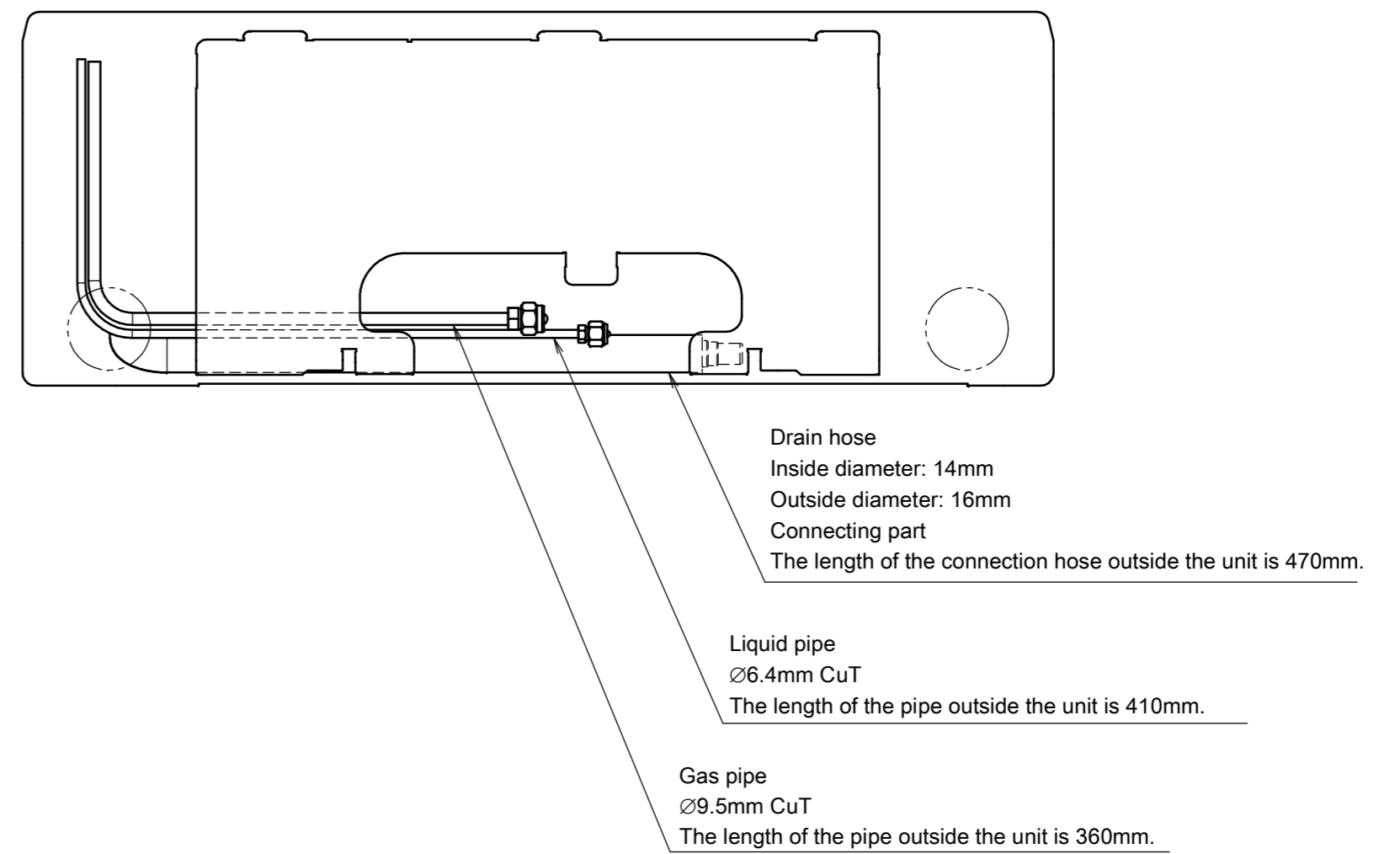
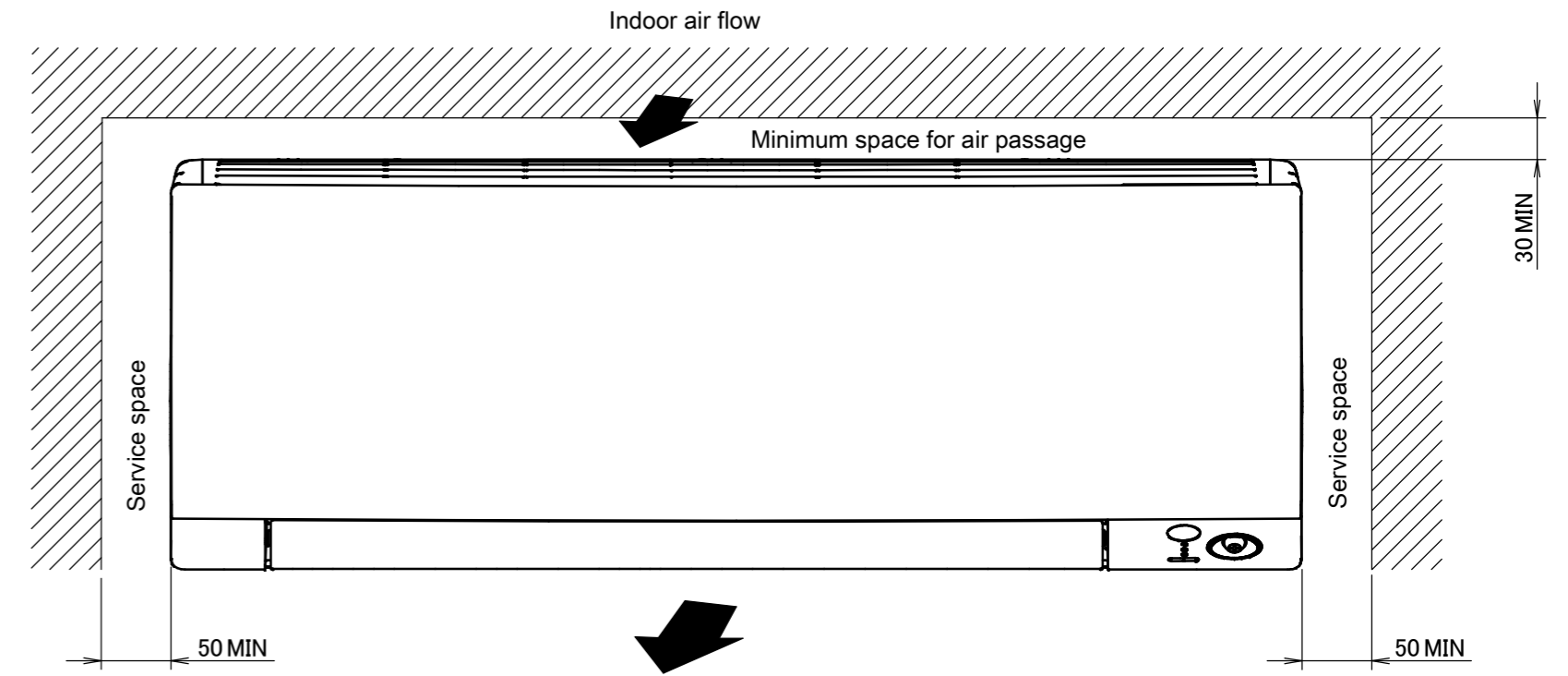
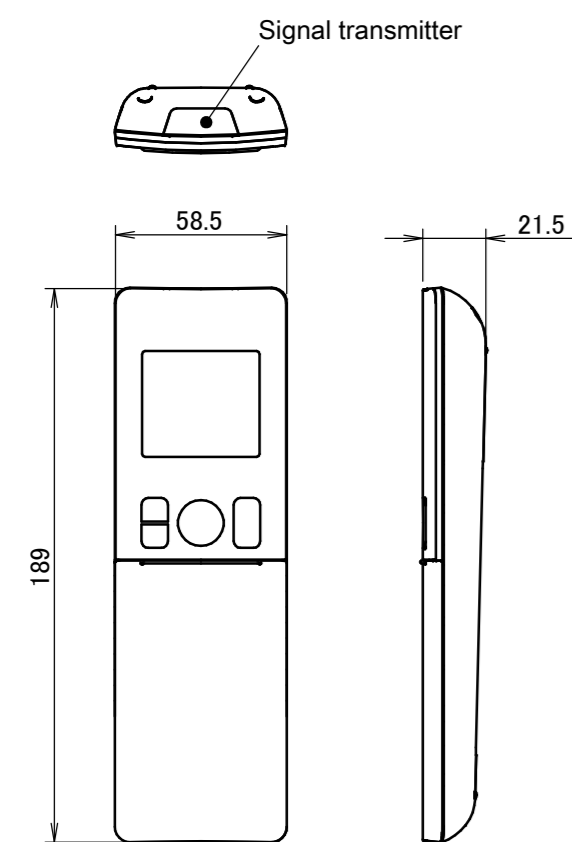


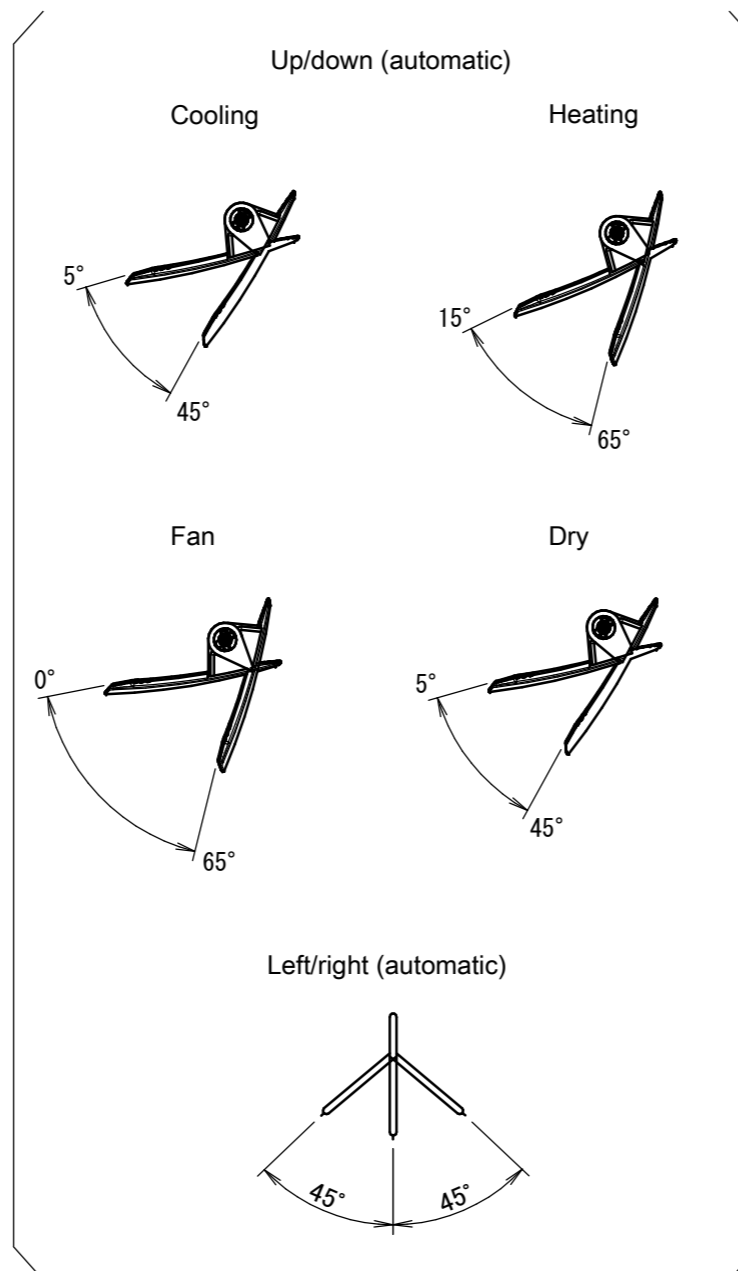
Required space for service and ventilation



Wireless remote control (ARC466A33)



Blade angle



Notes  
1. The → mark shows the piping direction.

Standard location of holes in the wall

