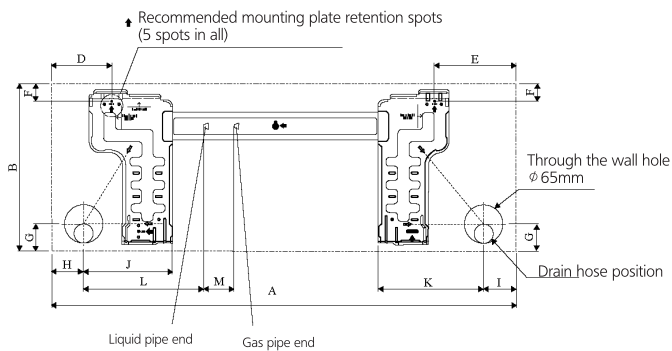
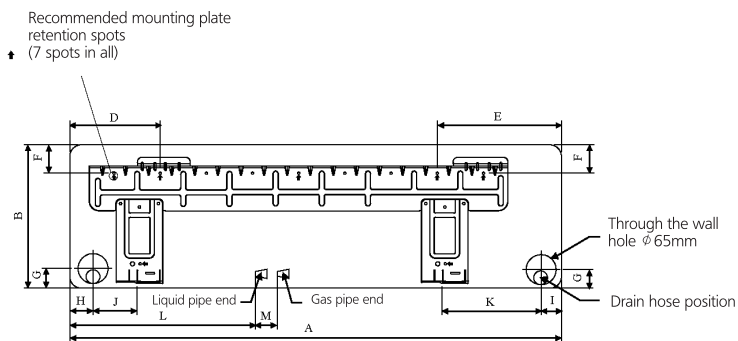


Installation plate ATXN25-35NV1B



Alternative installation plate ATXN25-35NV1B



Installation plate ATXN50-60NV1B

Model	Dimension	Dimension												
		A	B	C	D	E	F	G	H	I	J	K	L	M
ATXN25-35NV1B Installation plate		859	288	209	166	184	42	46	55	56	154	182	263	52
ATXN25-35NV1B Alternative installation plate		859	288	209	104	141	30	46	55	56	153	181	207	52
ATXN50-60NV1B Installation plate		1124	310	237	190	173	61	40	45	48	91	219	580	45