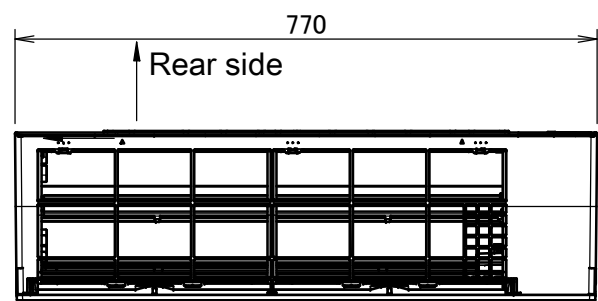


ATXP20-35L

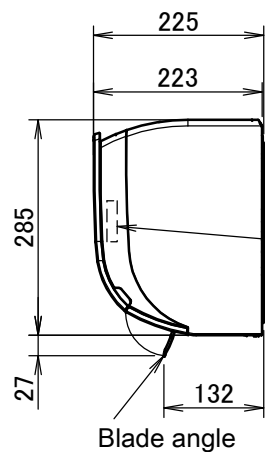
Required space for service and ventilation

The → mark shows the piping direction.



Right side

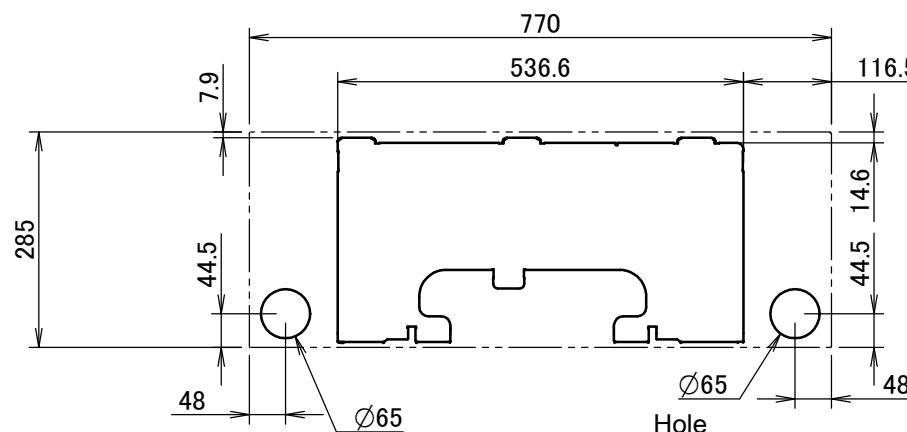
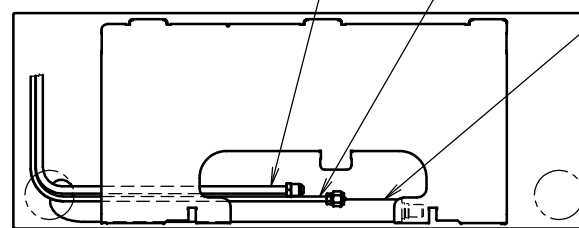
Including mounting plate



Terminal block with earth terminal
Located inside of the unit

Drain hose
Inside diameter: 14mm
Outside diameter: 16mm
Connecting part
The length of the connection hose outside the unit is 470mm.

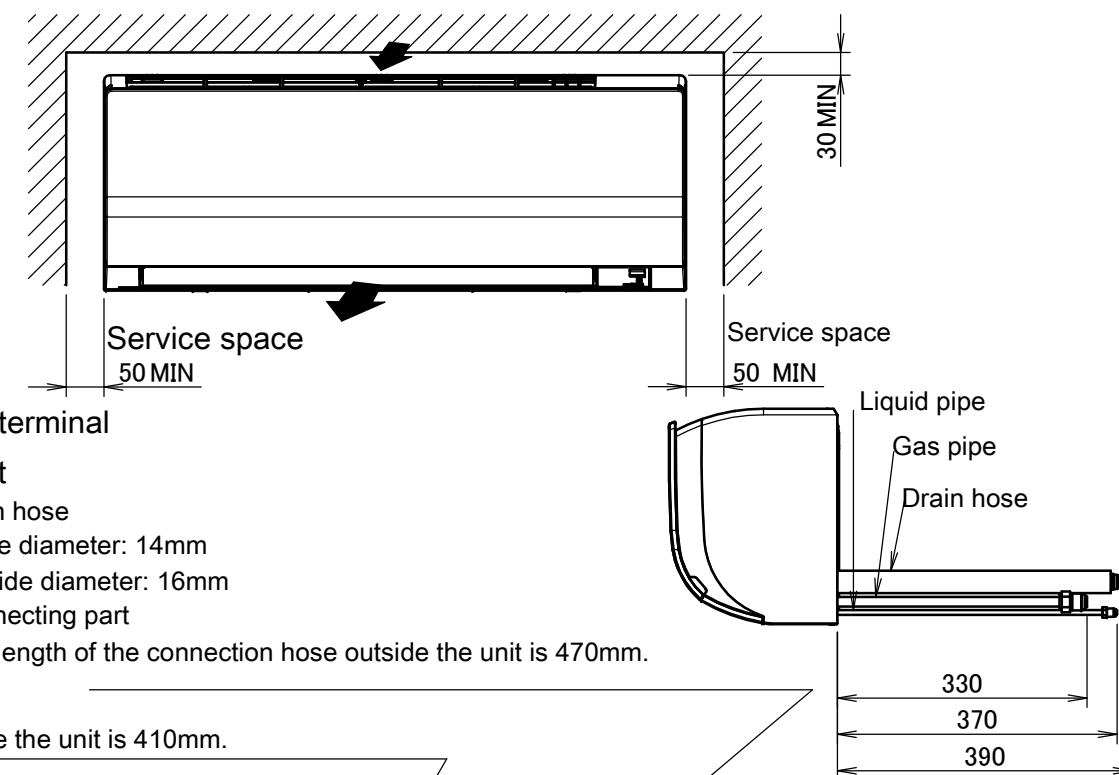
Liquid pipe
Ø6.4 mm CuT
The length of the pipe outside the unit is 410mm.
Gas pipe
Ø9.5 mm CuT
The length of the pipe outside the unit is 360mm.



Hole for embedded piping

Standard location of holes in the wall

Minimum space for air passage



Left side

Bottom side

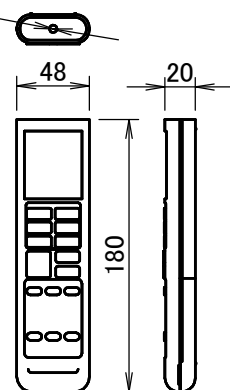
Front grille fixing screws
Located inside of the unit

Nameplate
Located inside of the unit

Flap

Signal receiver
Operation lamp
Timer lamp
Indoor unit On/OFF switch
Room temperature sensor
Located inside of the unit

Signal transmitter



Wireless remote control

Blade angle

Up/down (automatic)

Cooling

Dry

5°

50°

Fan

0°

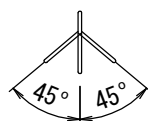
65°

Heating

15°

65°

Left/right (manual)



(ARC480A11)

3D098287B