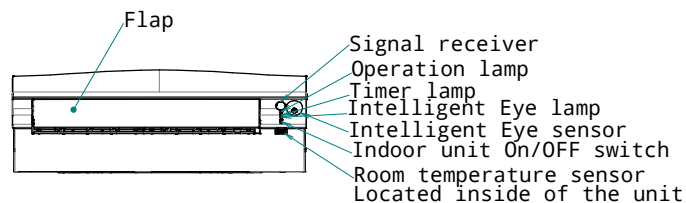
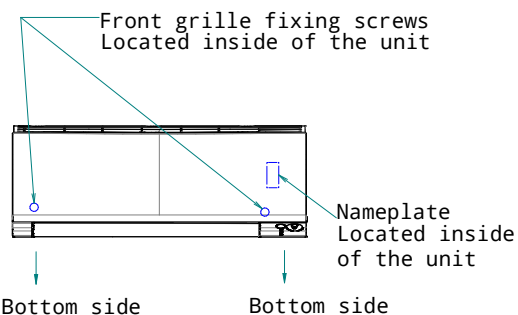
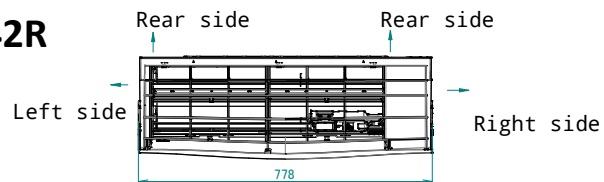
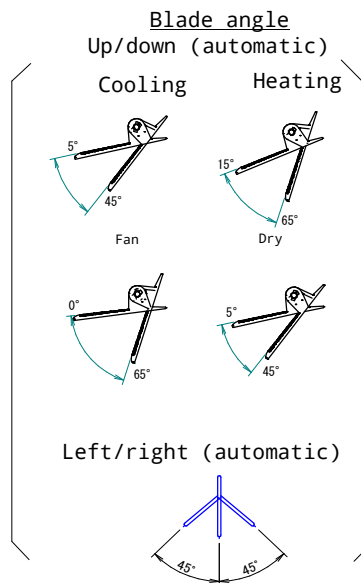
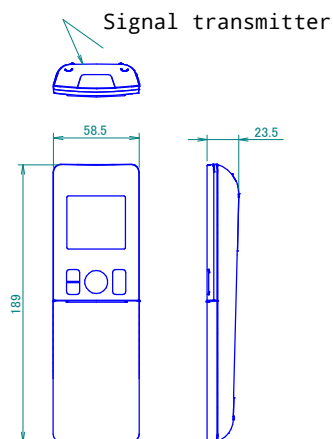


# CTXM-R FTXM20-42R



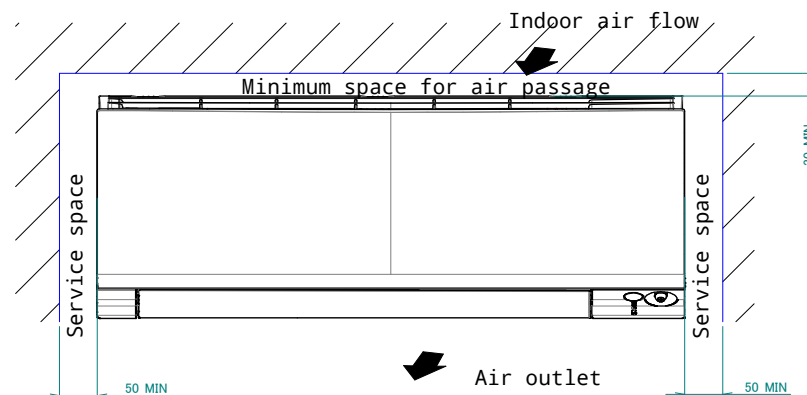
## Wireless remote control (ARC466A67)



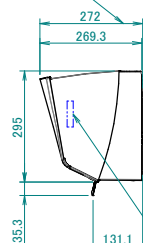
### Notes

1The ·→· mark shows the piping direction.

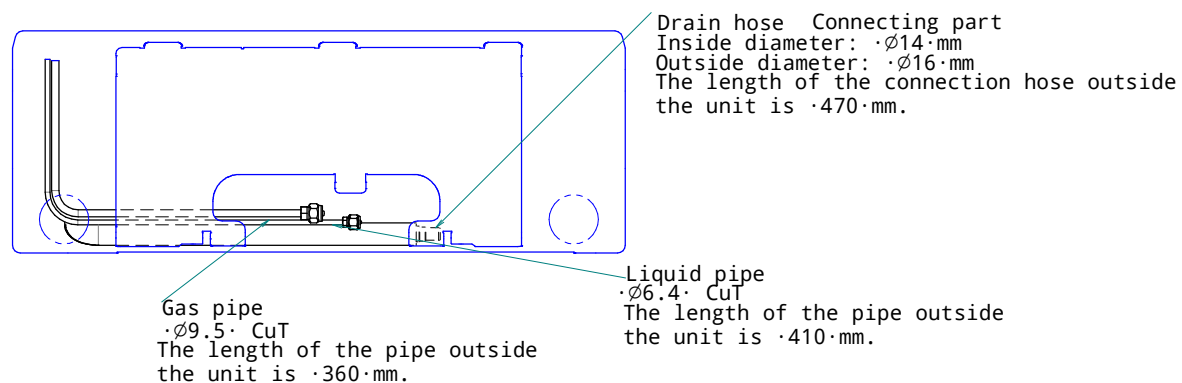
## Required space for service and ventilation



Including mounting plate



Terminal block with earth terminal  
Located inside of the unit



## Standard location of holes in the wall

