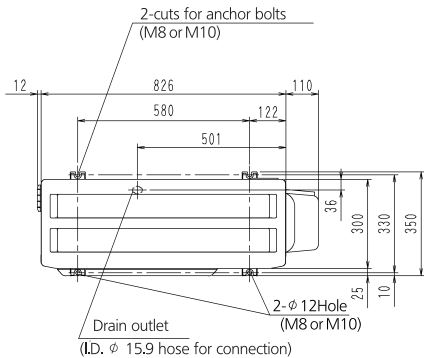
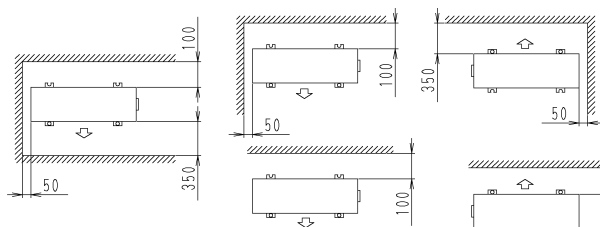


3AMX52E



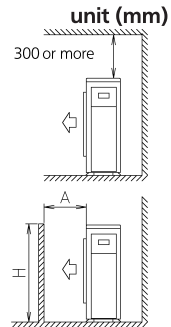
Minimum space for air passage

Wall height on air outlet side = less than 1200

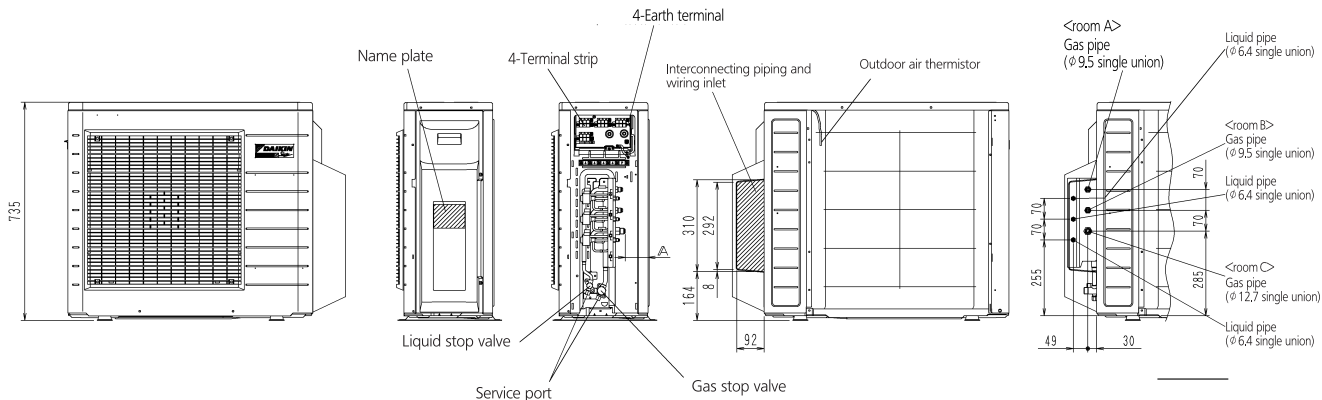


		A
Liquid	ϕ 6.4	95
Gas	ϕ 9.5	85
	ϕ 12.7	76

	Dimension A
$H \leq 1200$	350
$H > 1200$	600



Installation space for discharge side (mm)



3D051871B