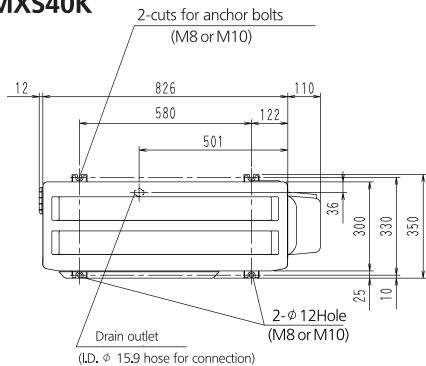
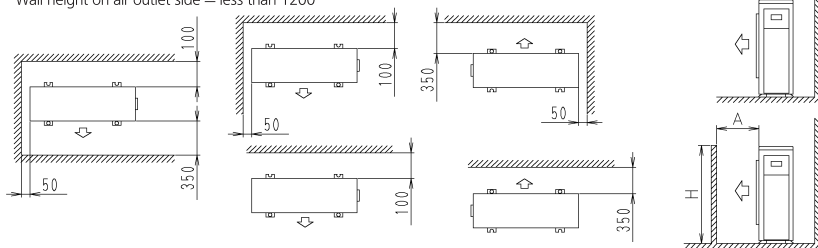


# 3MXS40K



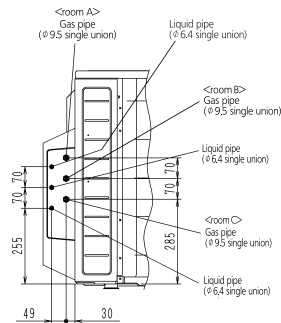
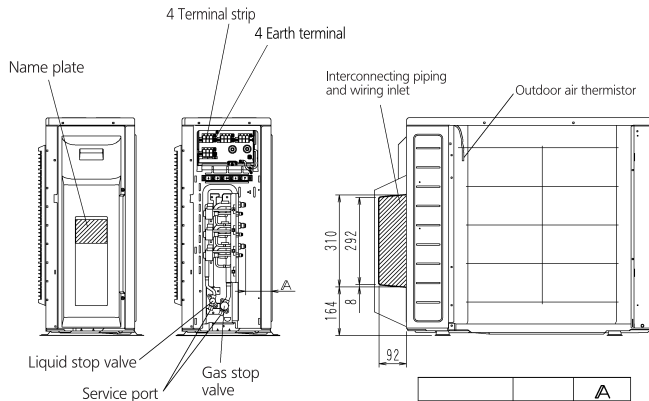
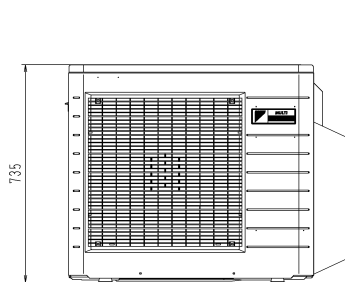
Minimum space for air passage

Wall height on air outlet side = less than 1200



	Dimension A
$H \leq 1200$	350
$H > 1200$	600

Installation space for discharge side (mm)



	$\phi$	A
Liquid	$\phi$ 6.4	95
Gas	$\phi$ 9.5	85