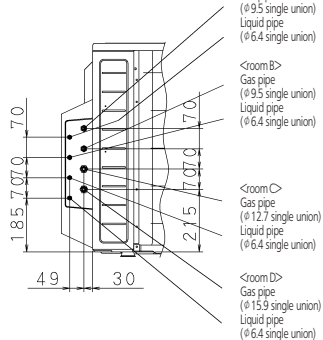
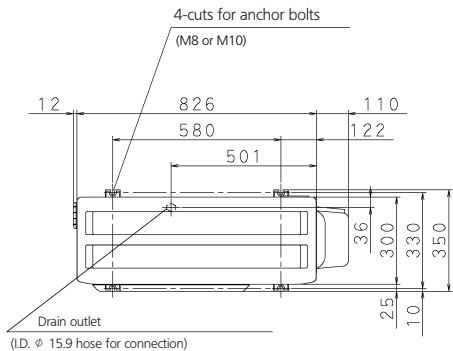
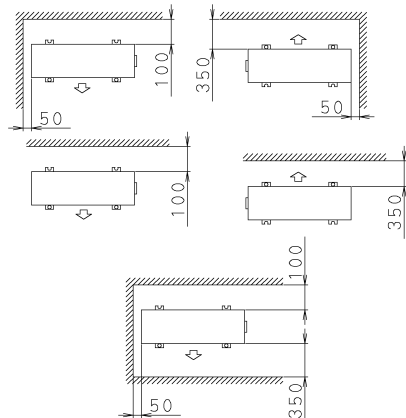


4MXS68F2V1B



Minimum space for air passage

Wall height on air outlet side = less than 1200

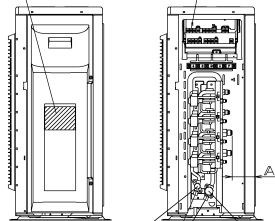
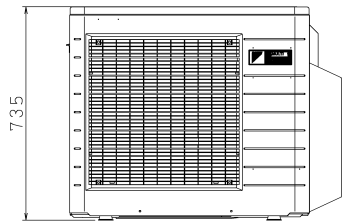


5-Terminal strip with earth terminal

Name plate

Interconnecting piping and wiring inlet

Outdoor air thermistor



		A
Liquid	ϕ 6.4	95
	ϕ 9.5	85
Gas	ϕ 12.7	76

Liquid stop valve

Service port

Gas stop valve

