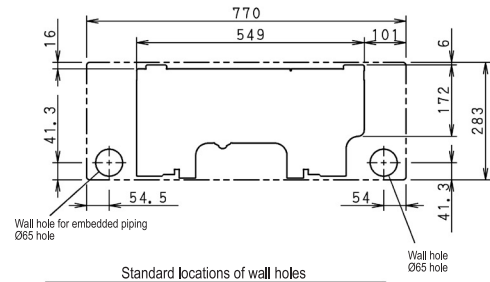
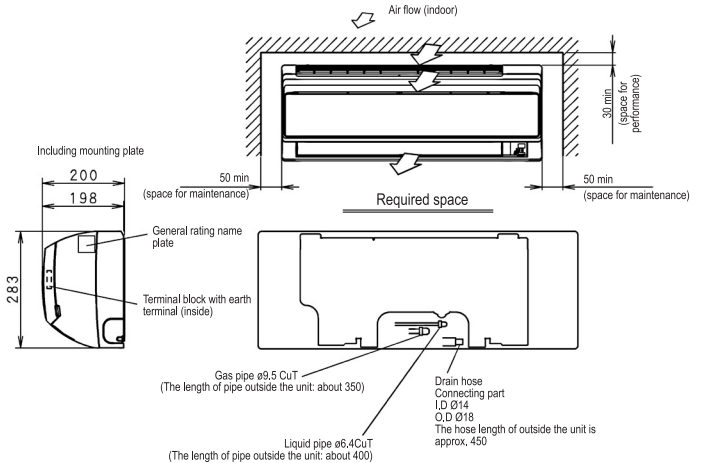
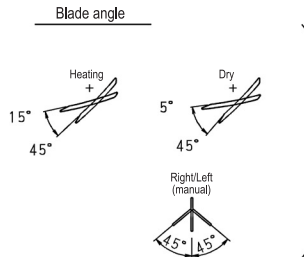
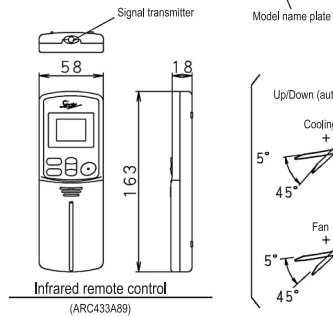
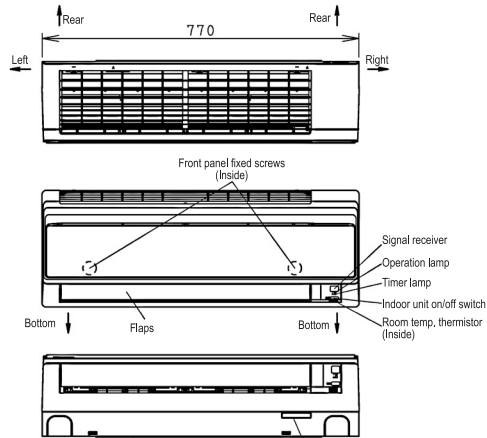


ATX20-35J2V1B



3D058483A

NOTES

1. The mark (→) shows piping direction.