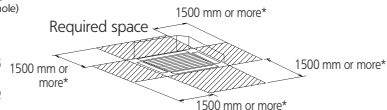
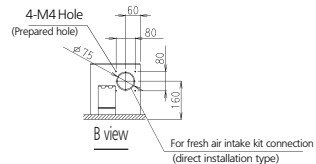
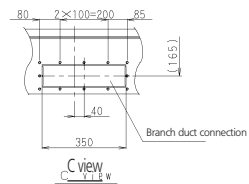
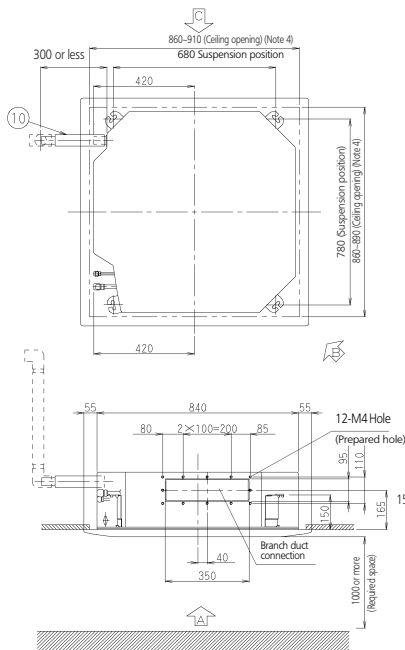
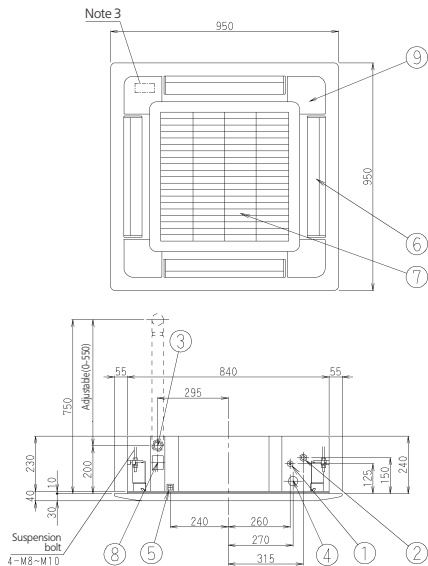


FHC50-60KVE9



* When the discharge grille is closed, the required space is 200mm or more

Note:

- Location of unit's name plate
For main body: switch box cover inside surface of suction grille.
For decoration panel: panel frame inside surface of suction grille
- When installing an optional accessory, refer to the installation drawings
 - For fresh air intake kit - inspection port is necessary
 - For high efficiency filter unit - inspection port is not necessary.
- In case of using infrared remote control, this position will be a signal receiver. Refer to the drawing of infrared remote control in detail.

- Liquid pipe connection ϕ 6.4 Flare connection
- Gas pipe connection ϕ 15.9 Flare connection
- Drain pipe connection VP25
- Power supply connection
- Remote control code and control wiring connection
- Air discharge grille
- Air suction grille
- Port for water supply
- Corner decoration cover
- Drain hose (O.D.) 32