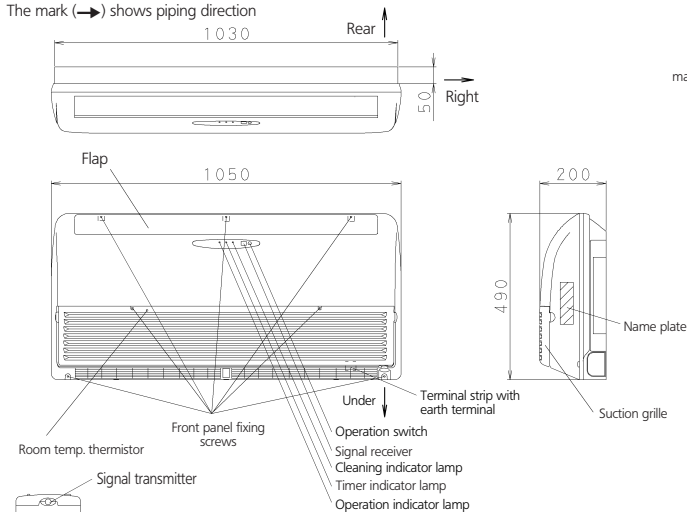
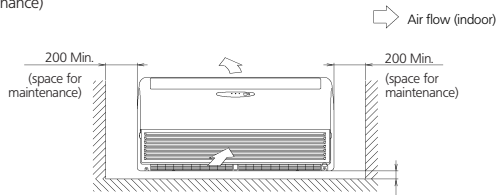


## Ceiling suspended installation

The mark (→) shows piping direction

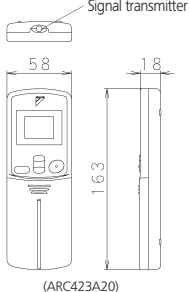


Required space (Ceiling suspended)  
(for performance and maintenance)



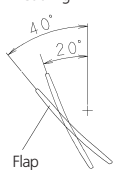
- Liquid pipe (6.4 CuT)
- Gas pipe (△ CuT)
- Drain hose (ID  $\phi$  14 - OD  $\phi$  18)

	A
FL35	12.7
FL50	15.9



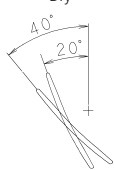
Infrared remote control

Up/down (automatic)  
Cooling

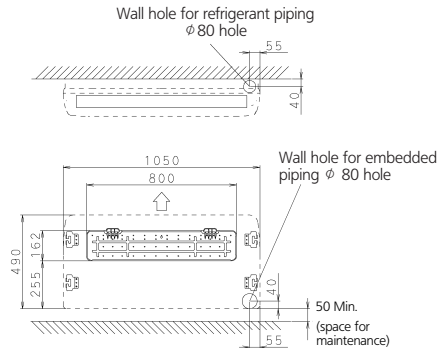


Blade angles

Dry



Right/left (manual)



Standard locations of wall holes