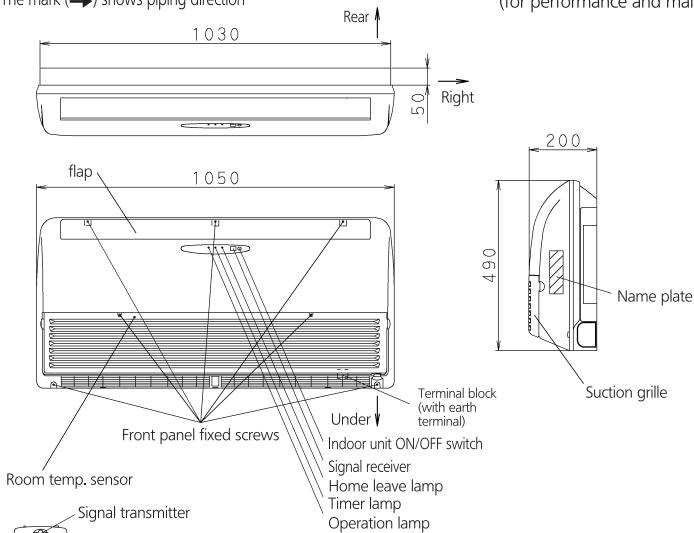


FLXS25-35B

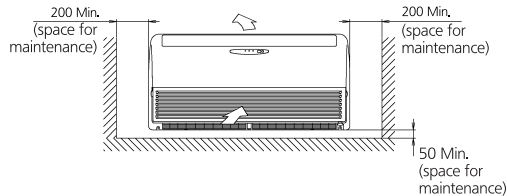
Floor level installation

The mark (→) shows piping direction

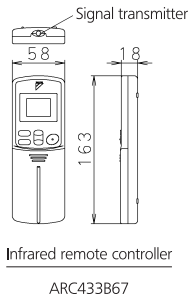


Required space
(for performance and maintenance)

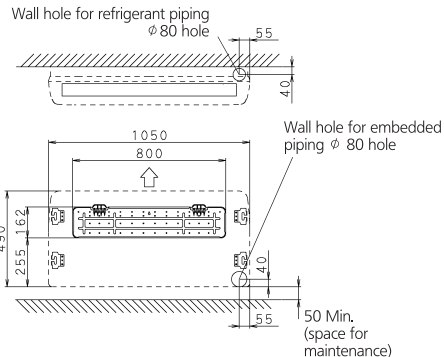
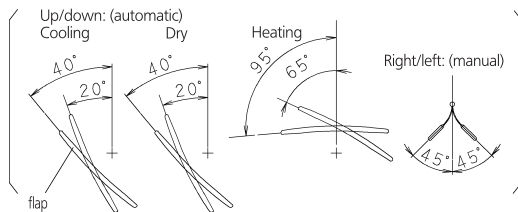
→ Air flow (indoor)



- Liquid pipe (ϕ 6.4 CuT)
- Gas pipe (ϕ 9.5 CuT)
- Drain hose (I.D. ϕ 14, O.D. ϕ 18)



Blade angle



Standard locations of wall holes