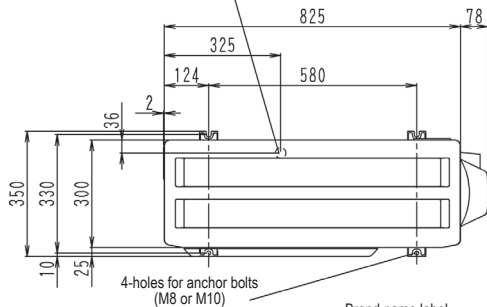
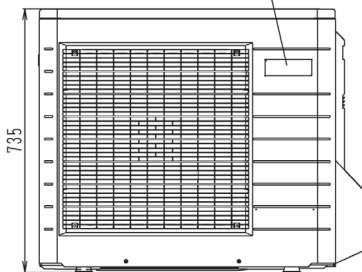
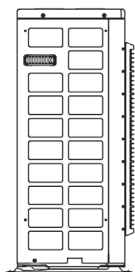
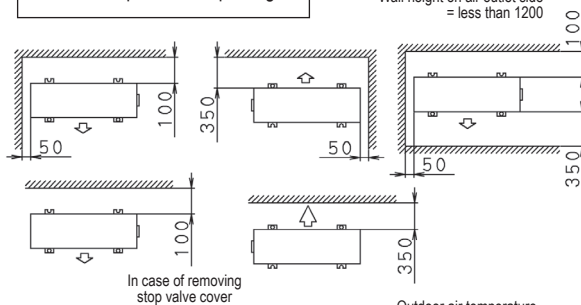


Drain outlet
(I.D. \varnothing 15.9 hose for connection)



Minimum space for air passage

Wall height on air outlet side
= less than 1200



Name plate

Wiring inlet

Terminal strip with earth terminal

Outdoor air temperature thermistor

