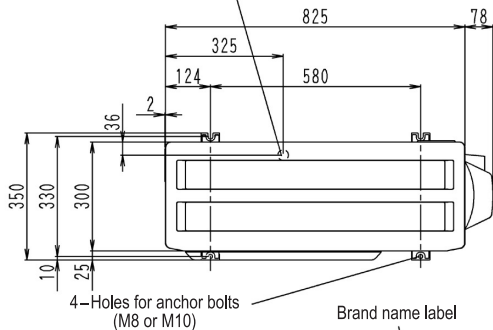


# RX50-60GV

Drain outlet  
(I.D.  $\phi 15.9$  hose for connection)



Minimum space for air passage

Wall height on air outlet side  
= less than 1200

