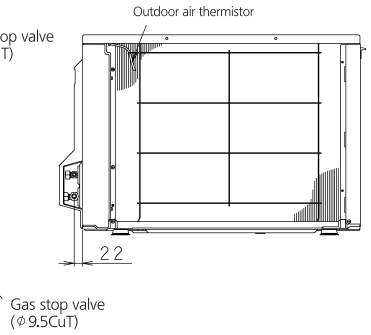
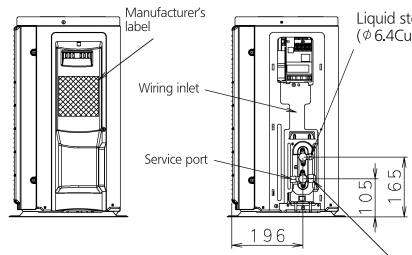
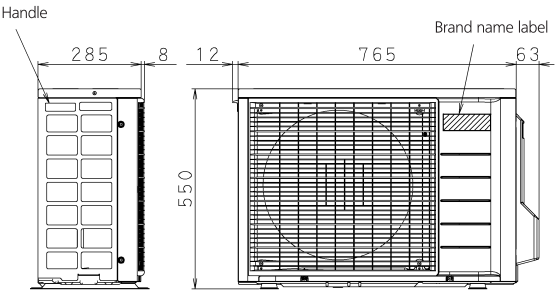
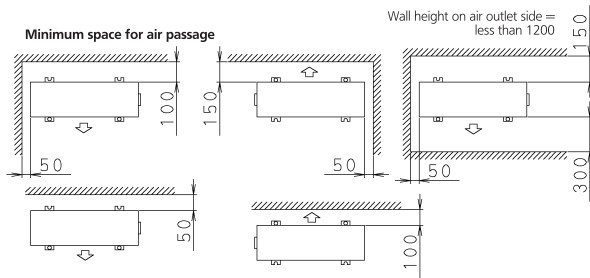
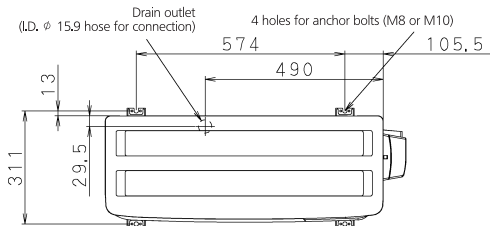


RXS20-42K



In case of removing stop valve cover