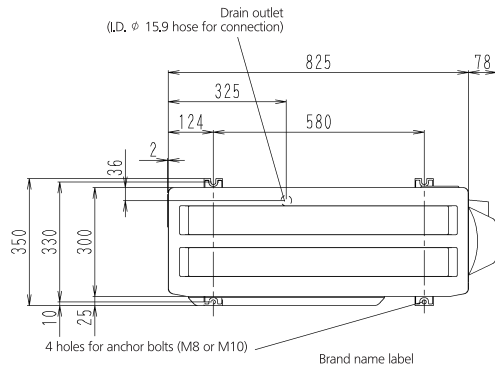
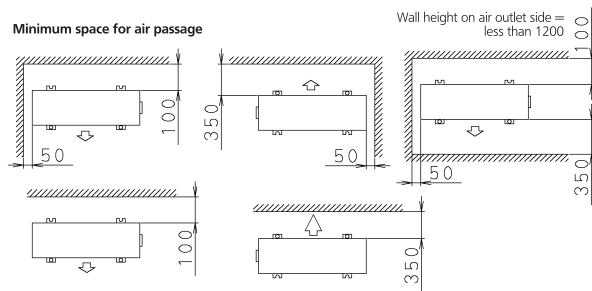


# RXS50K



## Minimum space for air passage



In case of removing stop valve cover

