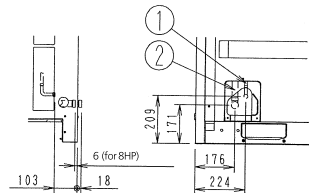
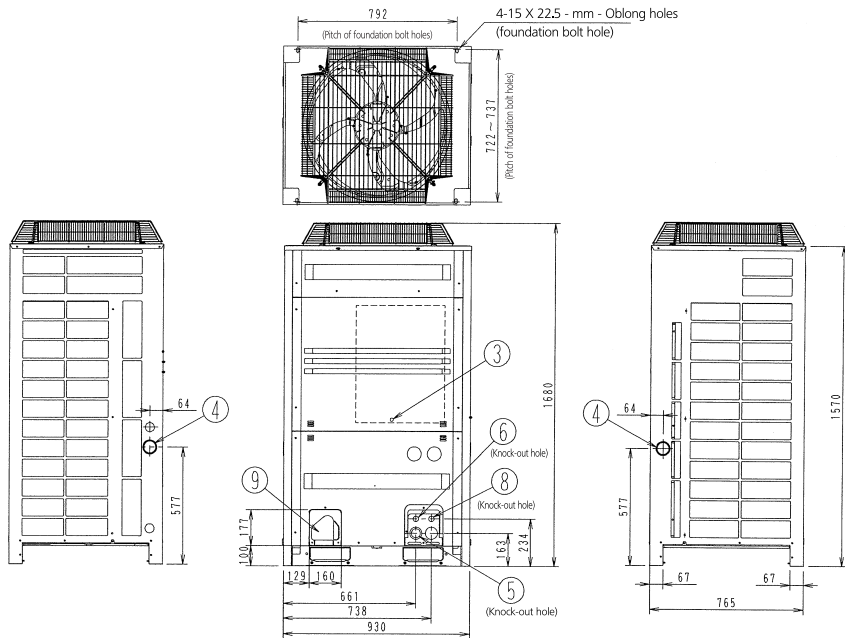
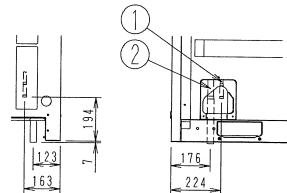


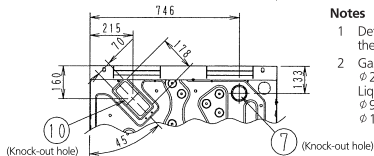
RZQ200-250C



Detail for front side



Detail for bottom side



Notes

- Detail for front side and detail for bottom side indicate the dimensions after fixing the attached piping.
- Gas pipe (Heat pump type)
 ϕ 22.2 Brazing connection
 Liquid pipe (Heat pump type)
 ϕ 9.5 Brazing connection... For 200-type
 ϕ 12.7 Brazing connection... For 250-type

- Liquid pipe connection port see note 2,
- Gas pipe connection port see note 2,
- Grounding terminal inside of switch box (M8)
- Power cord routing hole (side) ϕ 62
- Power cord routing hole (front) ϕ 45
- Power cord routing hole (front) ϕ 27
- Power cord routing hole (bottom) ϕ 65.5
- Wire routing hole (front) ϕ 27
- Pipe routing hole (front)
- Pipe routing hole (bottom)