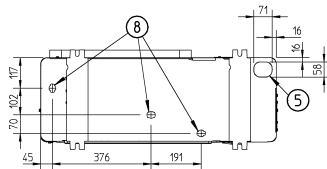
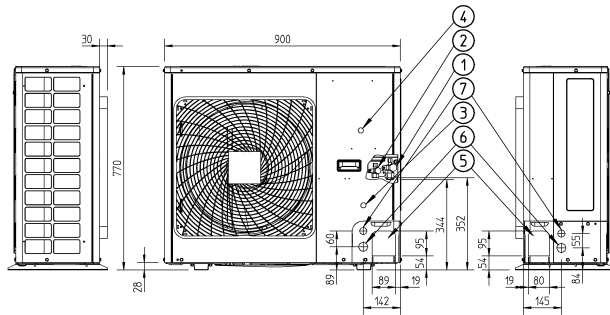
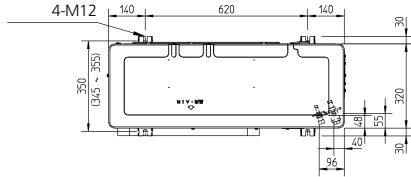


Hole for anchor bolt  
4-M12



- 1 Gas pipe connection  $\phi$  15.9 flare
- 2 Liquid pipe connection -  $\phi$  9.5 flare
- 3 Service port (in the unit)
- 4 Grounding terminal M5 (in switch box)
- 5 Refrigerant piping intake
- 6 Power supply wiring intake (knock out hole  $\phi$  34)
- 7 Control wiring intake (Knock out hole  $\phi$  27)
- 8 Drain outlet