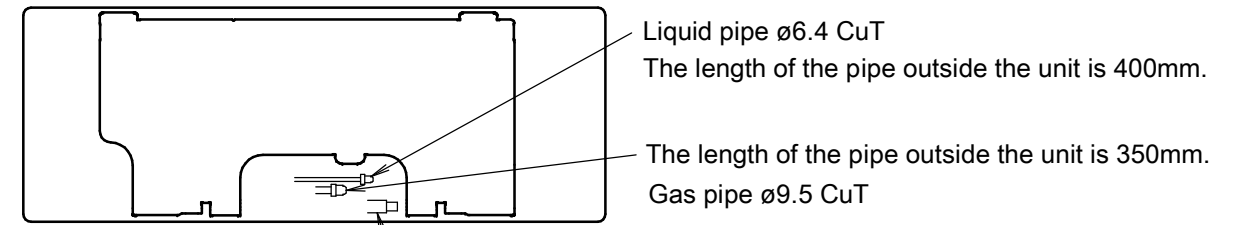
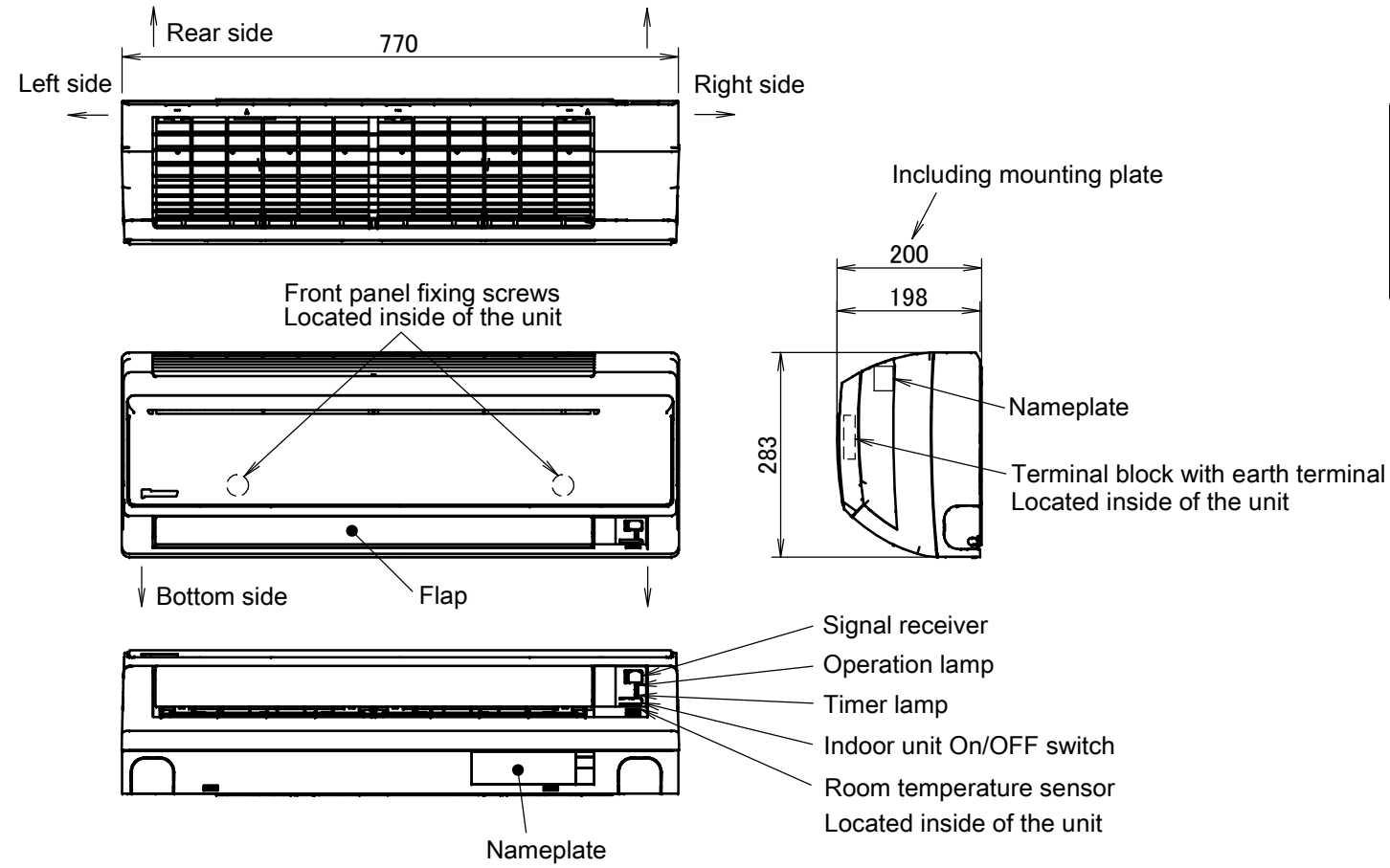
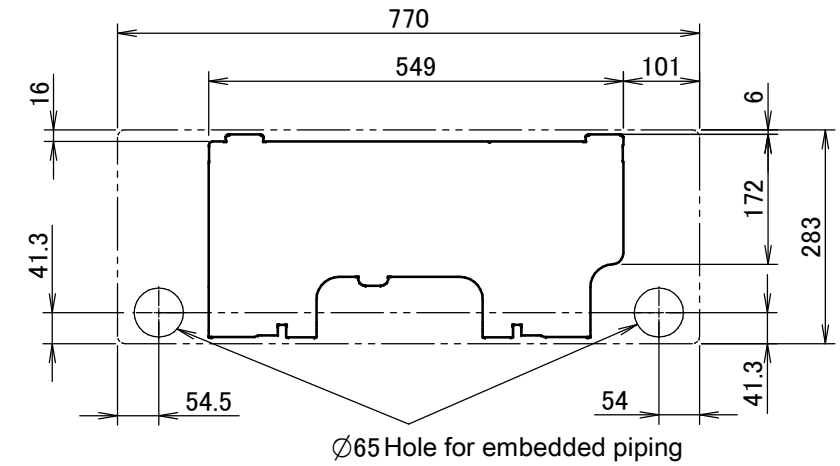


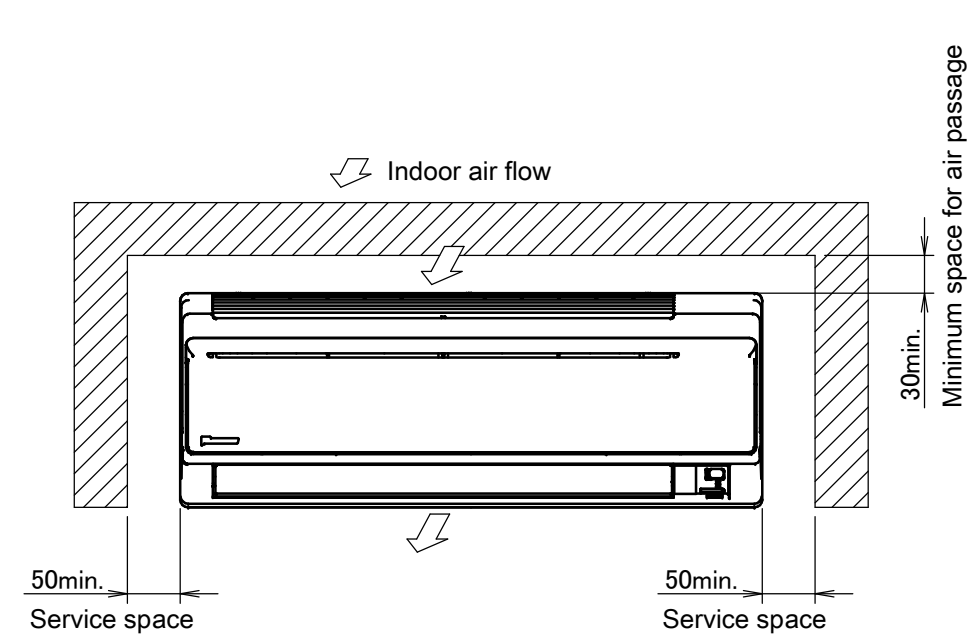
The → mark shows the piping direction.



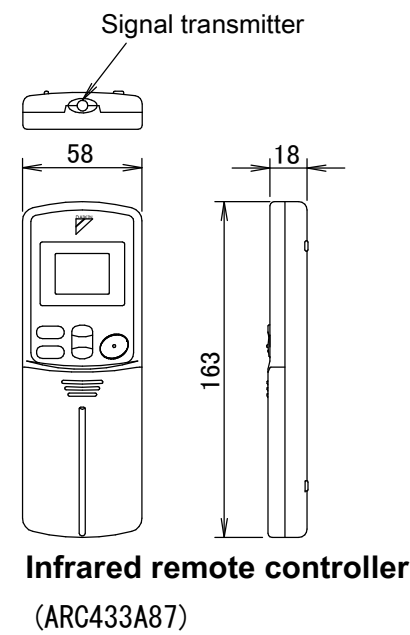
Drain hose
Connecting part
Inside diameter: $\phi 14$ mm
Outside diameter: $\phi 16$ mm
The length of the connection hose outside the unit is 450mm.



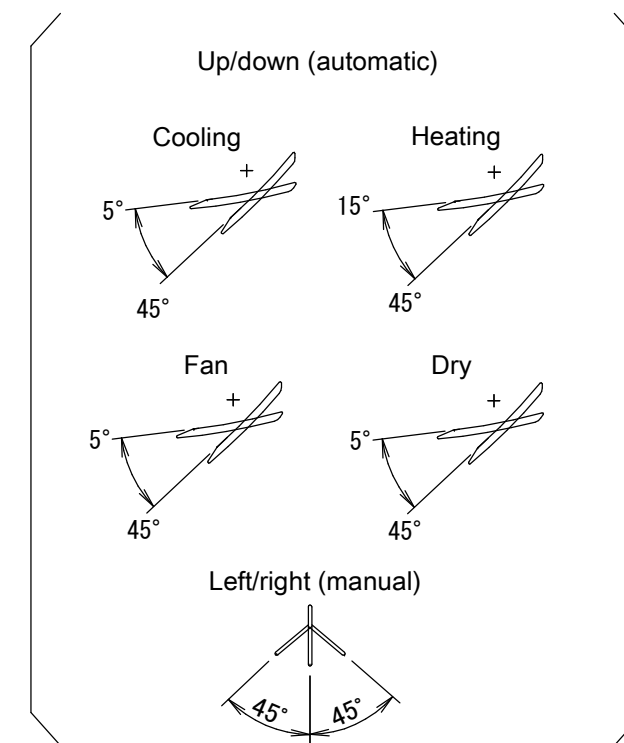
Standard location of holes in the wall



Required space for service and ventilation



Infrared remote controller
(ARC433A87)



Blade angle