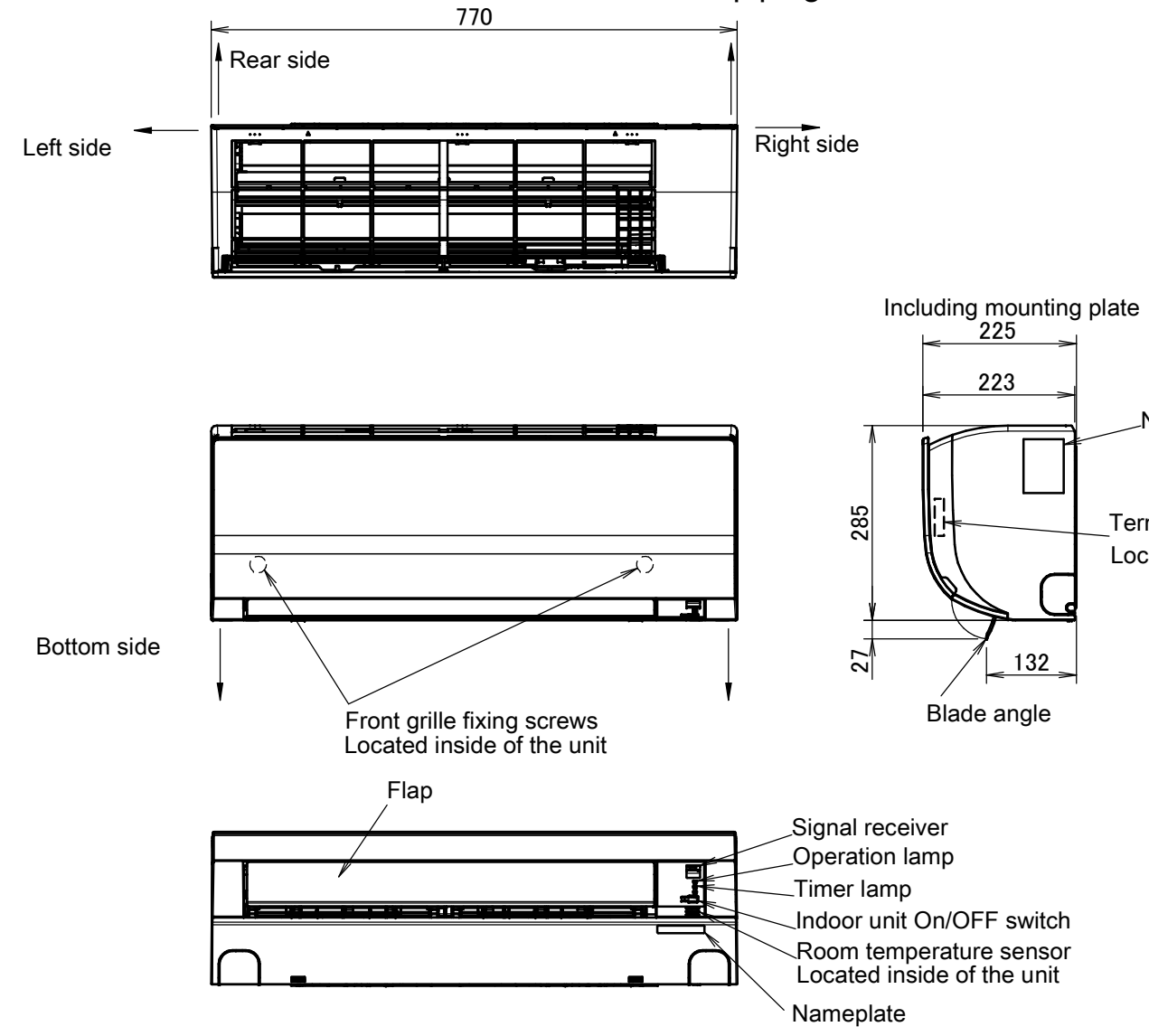
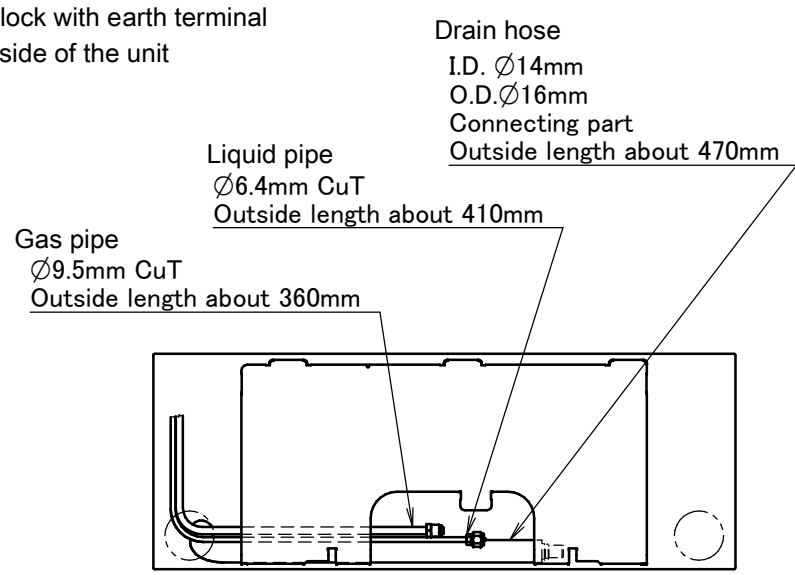
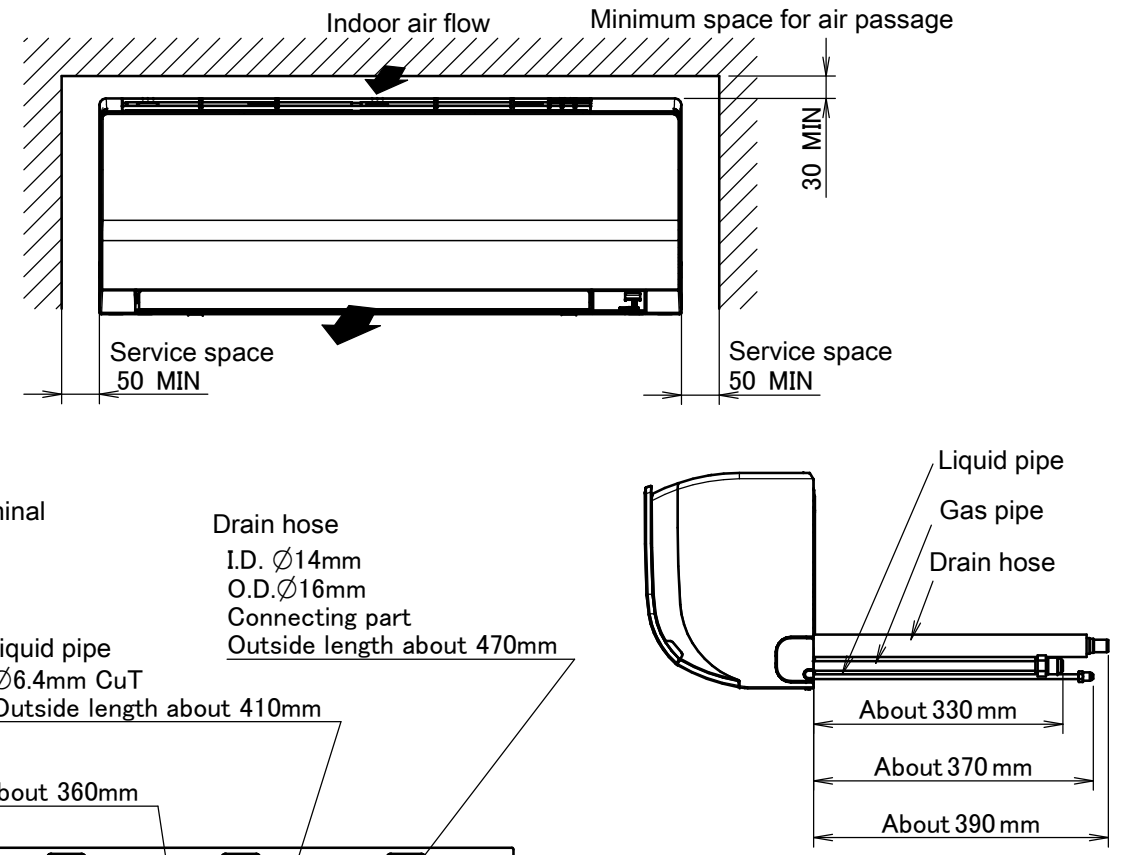


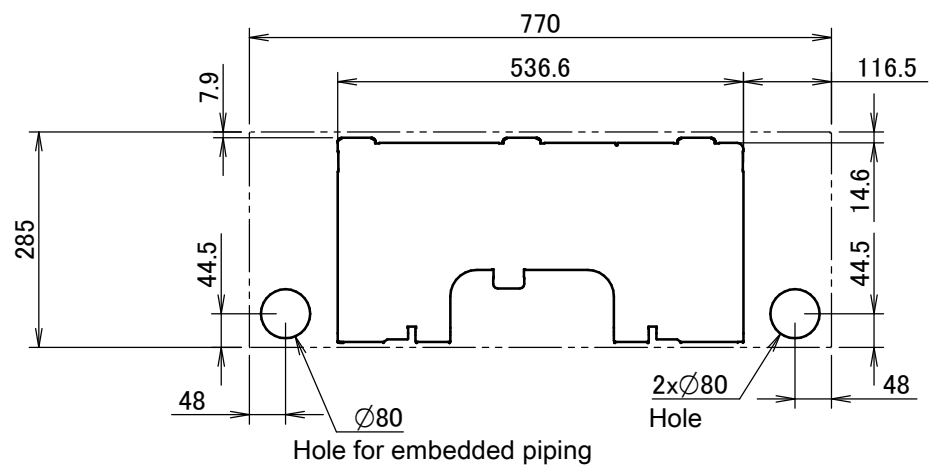
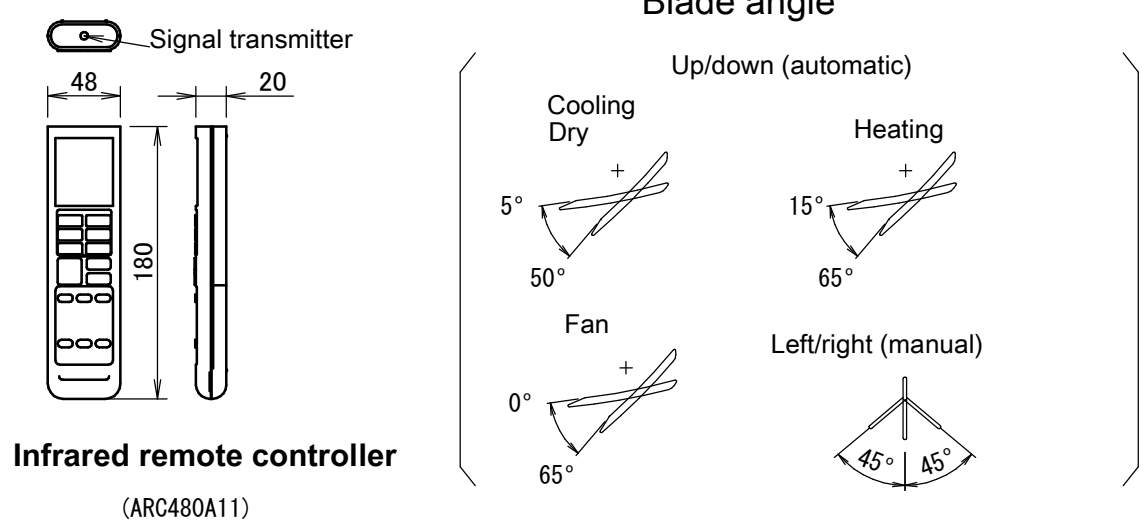
The → mark shows the piping direction.



Required space for service and ventilation



Blade angle



Standard location of holes in the wall