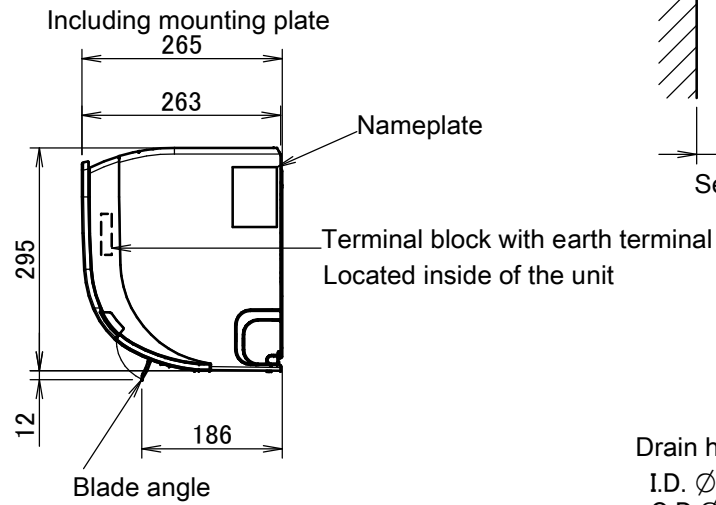
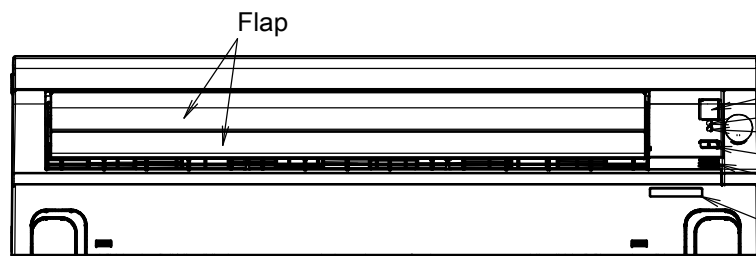
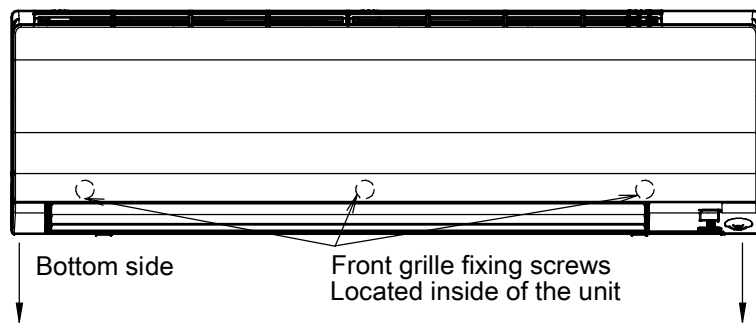
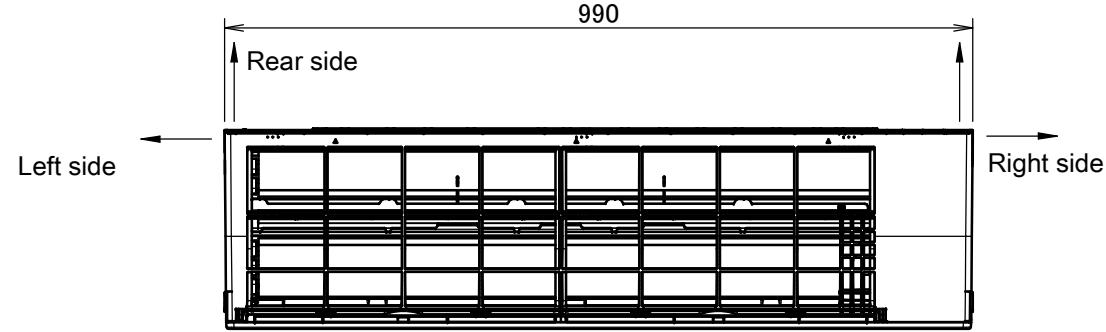
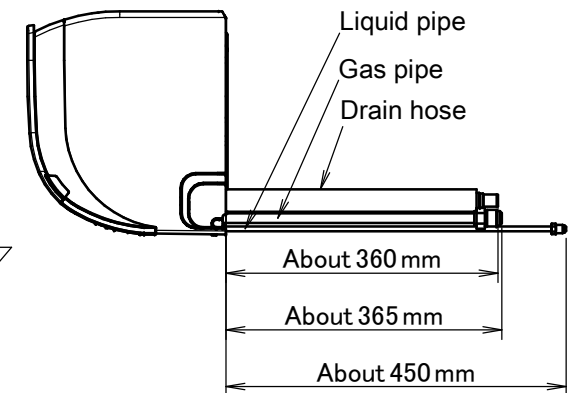
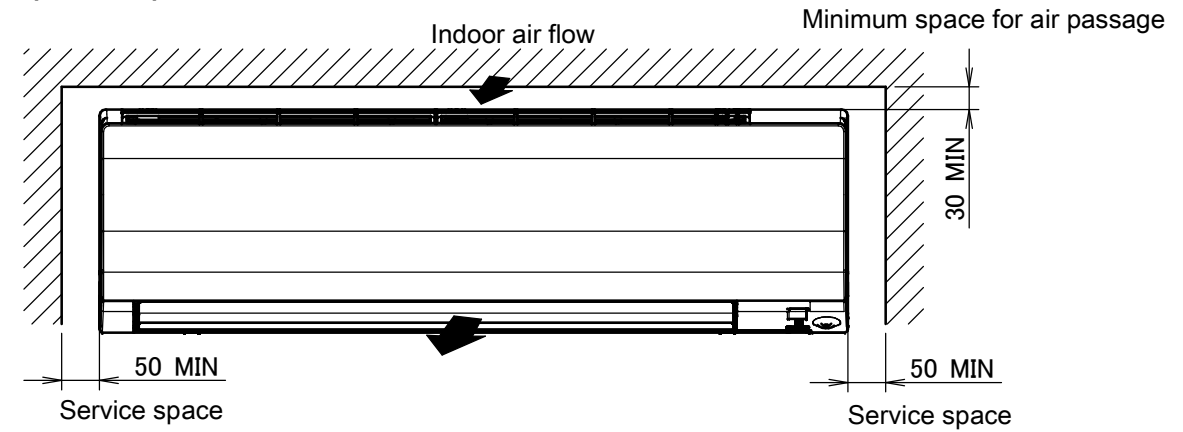


The → mark shows the piping direction.

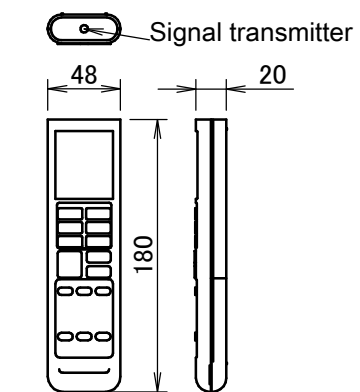
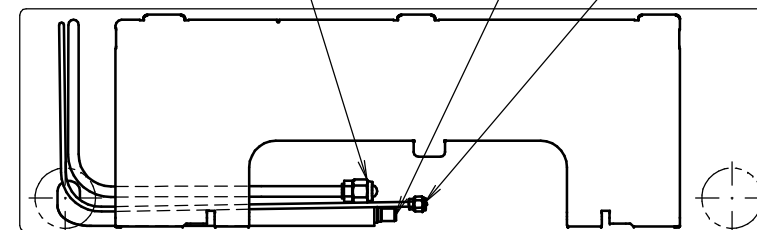


- Signal receiver
- Operation lamp
- Timer lamp
- Indoor unit On/OFF switch
- Room temperature sensor (Located inside of the unit)
- Nameplate

Required space for service and ventilation

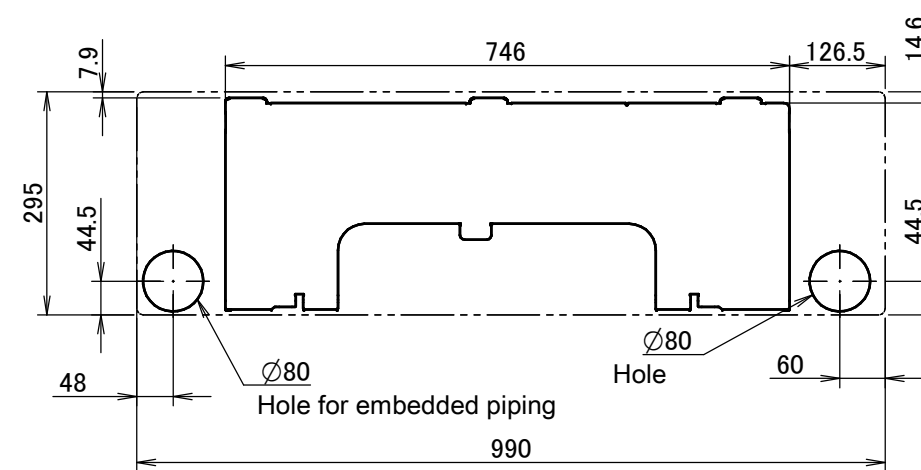
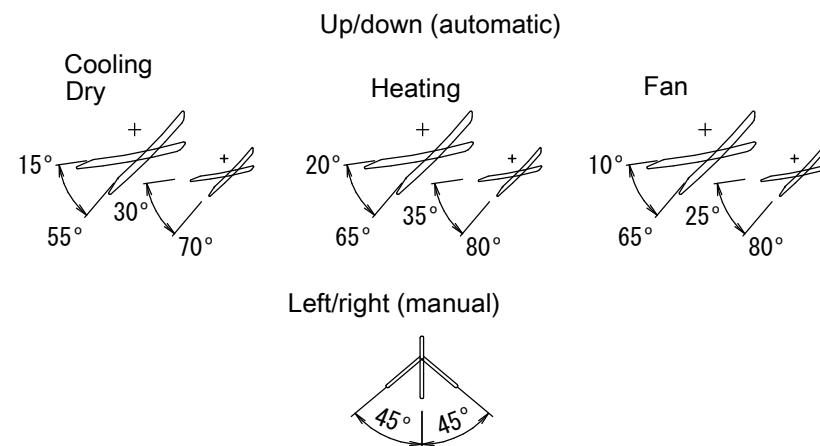


- Drain hose: I.D.  $\varnothing 14\text{mm}$ , O.D.  $\varnothing 16\text{mm}$ , Connecting part, Outside length about 440mm
- Liquid pipe:  $\varnothing 6.4\text{mm CuT}$ , Outside length about 460mm
- Gas pipe:  $\varnothing 12.7\text{mm CuT}$ , Outside length about 400mm



Infrared remote controller (ARC480A11)

Blade angle



Standard location of holes in the wall