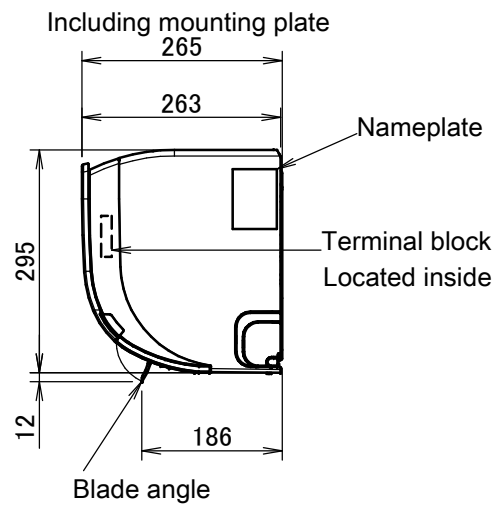
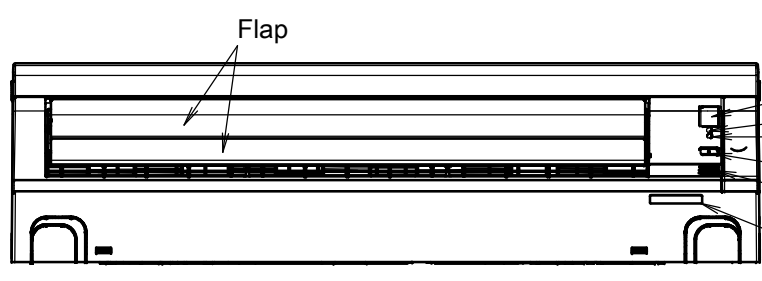
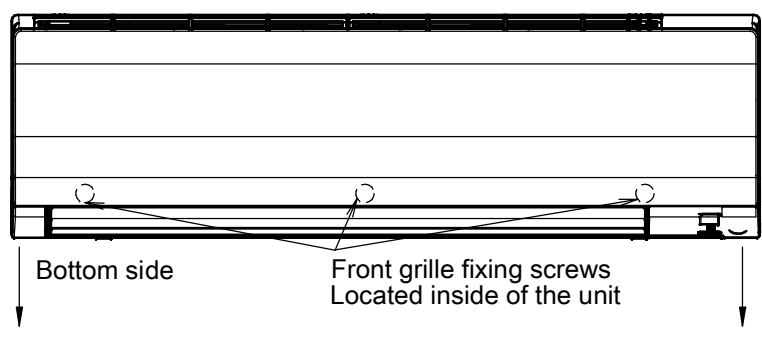
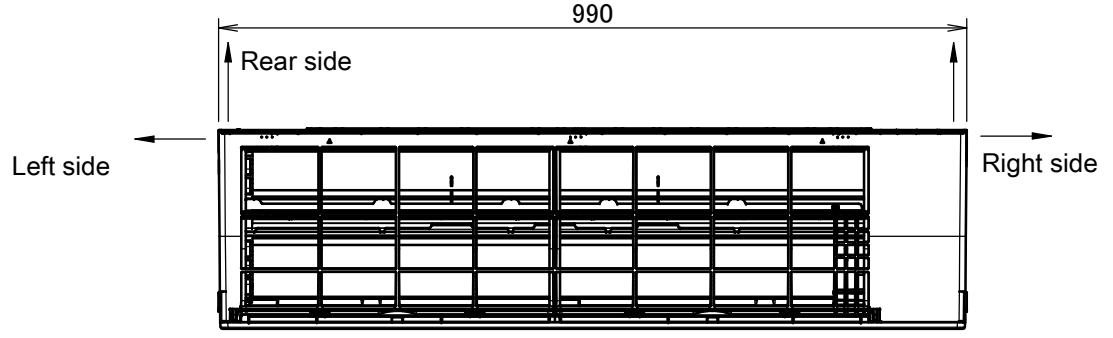
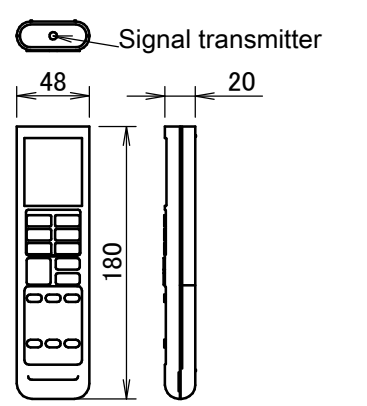
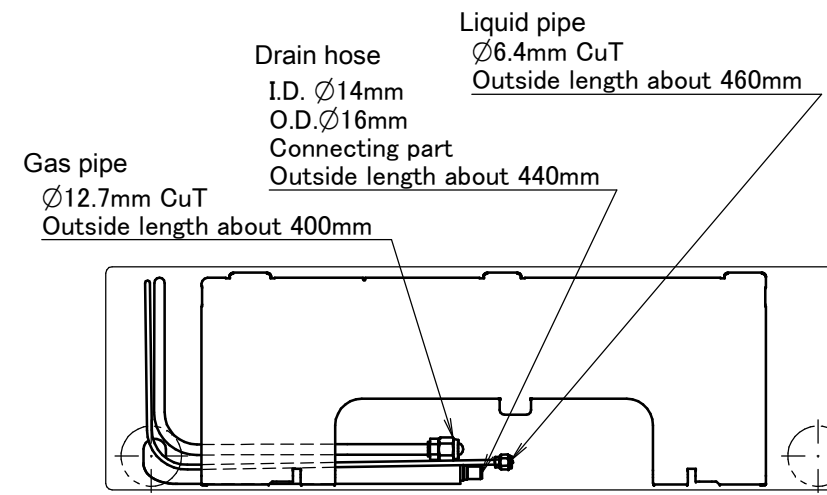
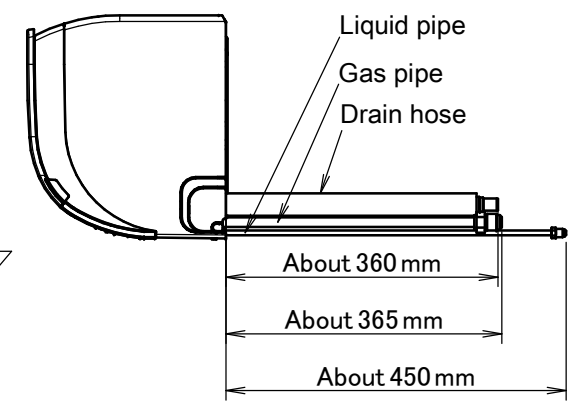
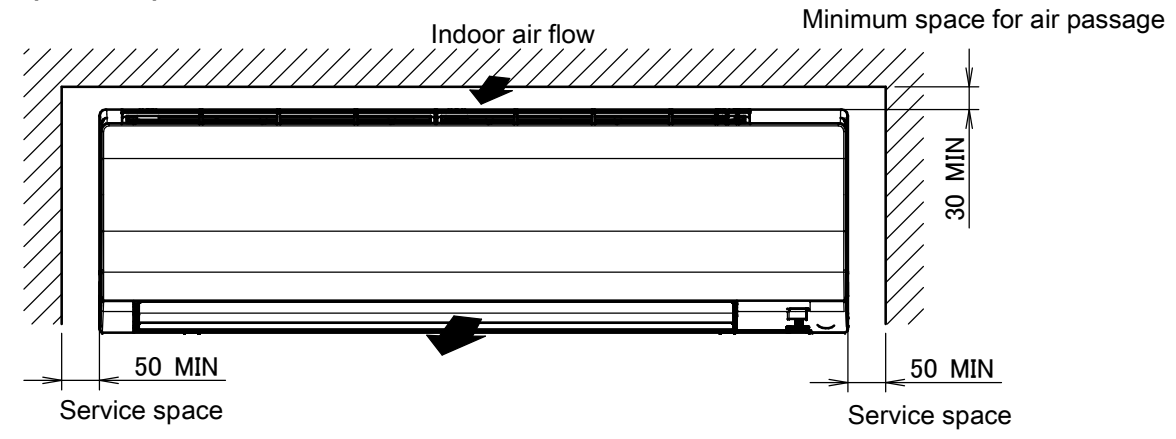


# FTX50-71KV

The → mark shows the piping direction.

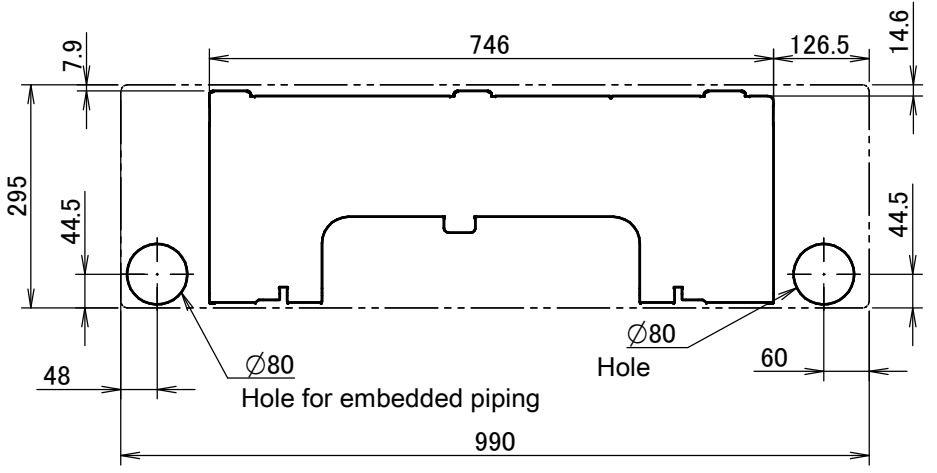
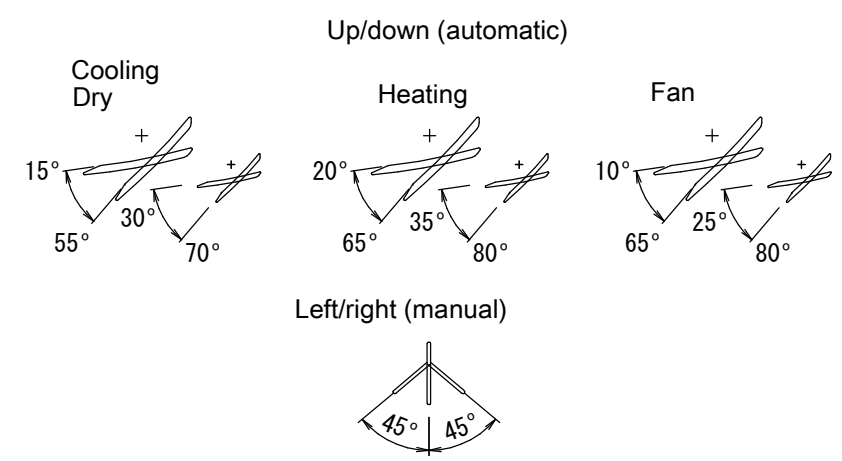


## Required space for service and ventilation



Wireless remote control (ARC480A11)

## Blade angle



Standard location of holes in the wall