

FTX50-71KV

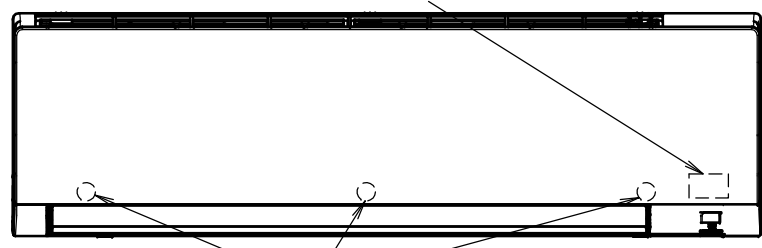
The → mark shows the piping direction.

Applicable models
FTX50K2V1B/FTX60K2V1B/FTX71K2V1B



Nameplate

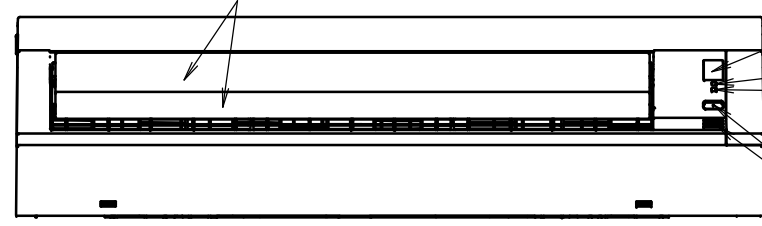
Located inside of the unit



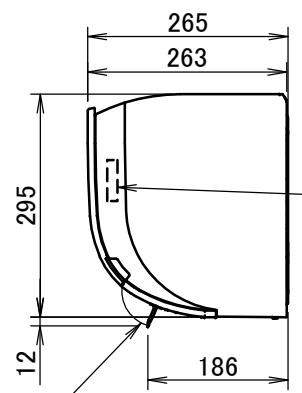
Bottom side

Front grille fixing screws
Located inside of the unit

Blade



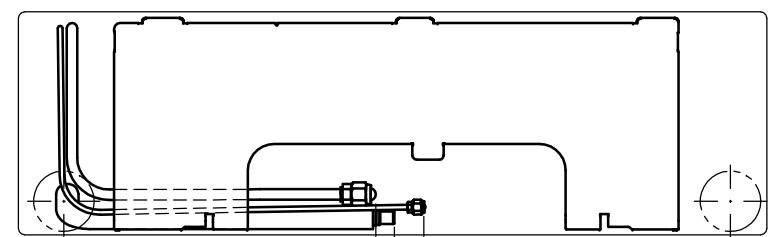
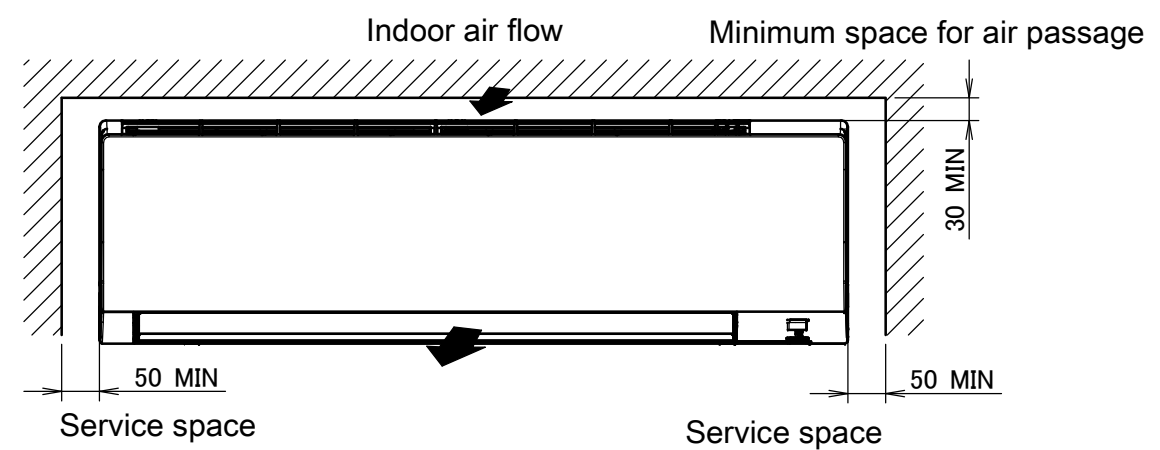
Including mounting plate



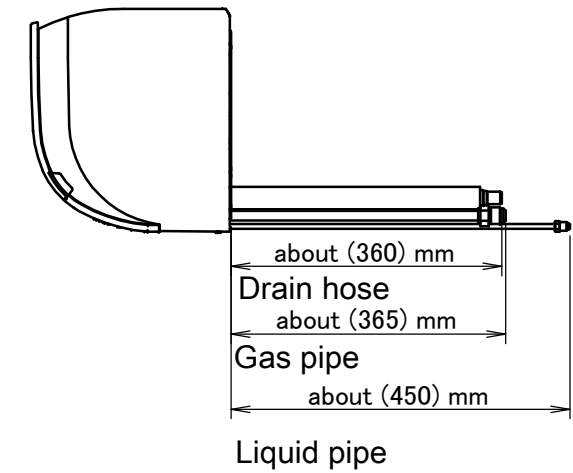
Blade angle

- Signal receiver
- Operation lamp
- Timer lamp
- Indoor unit On/OFF switch
- Room temperature sensor
Located inside of the unit

Required space for service and ventilation



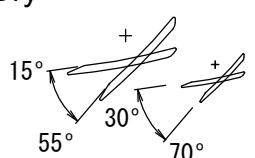
- Gas pipe
ø12.7mm CuT
about (440) mm
- Drain hose
Connecting part
I. D. ø14mm O. D. ø16mm
about (460) mm
- Liquid pipe
ø6.4mm CuT



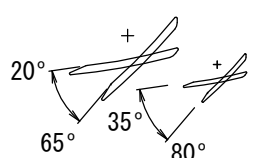
Blade angle

Up/down (automatic)

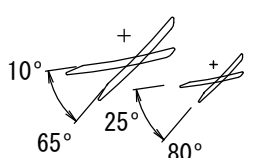
Cooling
Dry



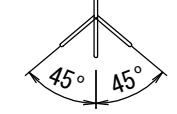
Heating



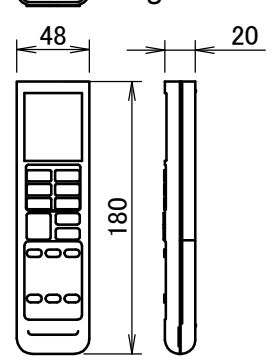
Fan



Left/right (manual)

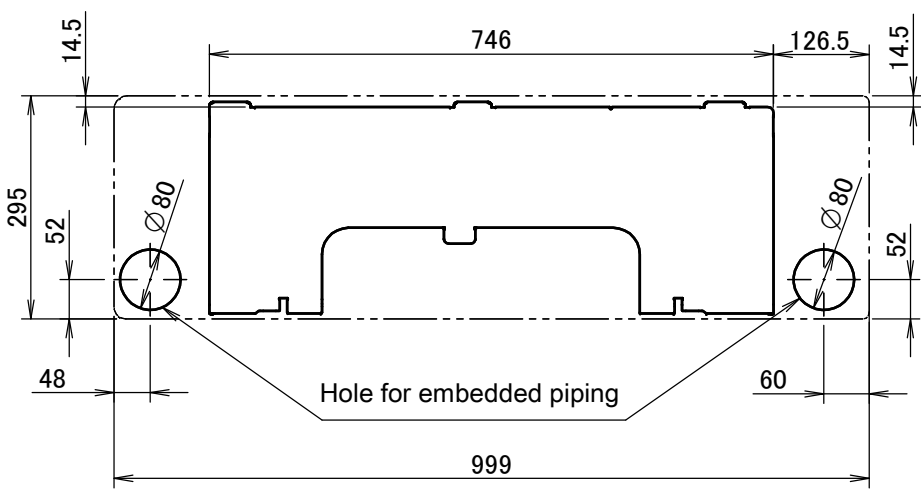


Signal transmitter



Wireless remote control

(ARC480A11)



Standard location of holes in the wall