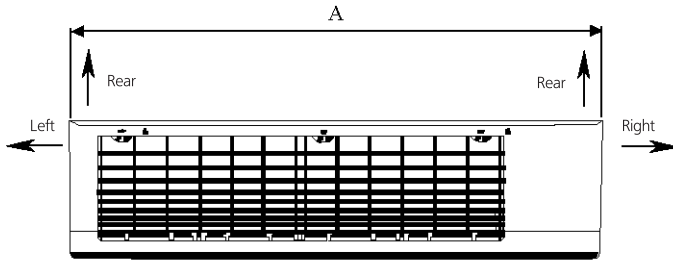
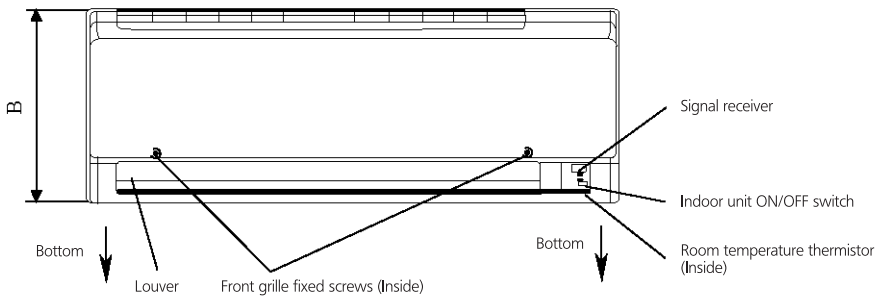


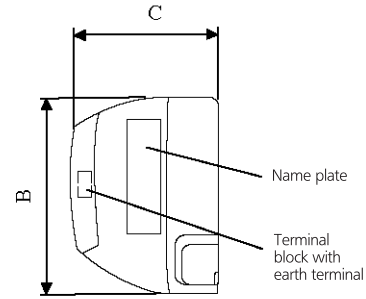
The mark (→) shows piping direction



Top view

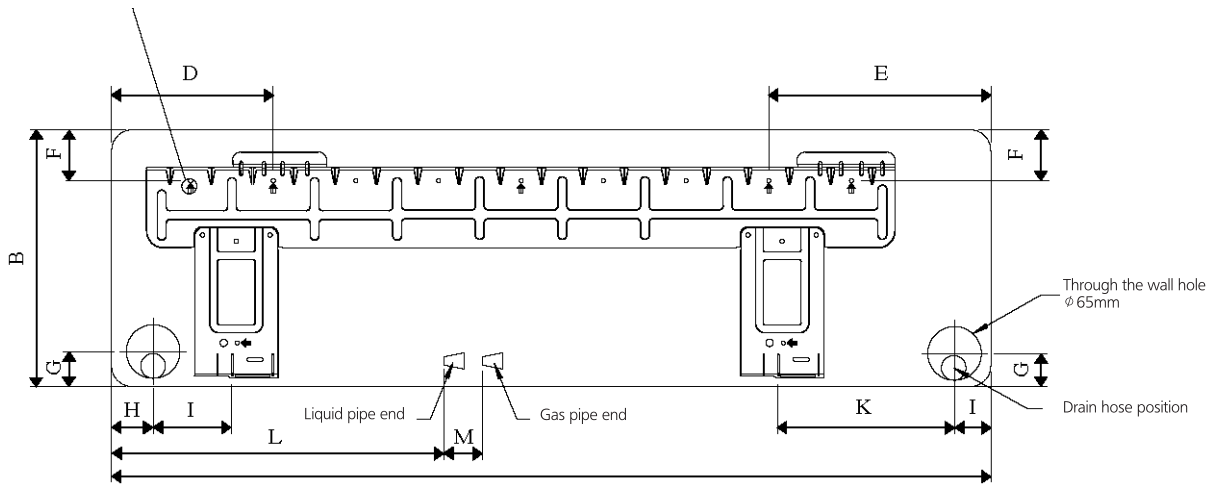


Front view



Side view

↑ Recommended mounting plate retention spots (7 spots in all)



Installation plate FTXB50-60C

Model	Dimension	A	B	C	D	E	F	G	H	I	J	K	L	M
FTXB50-60C		1065	310	228	190	173	61	40	45	48	91	219	580	45