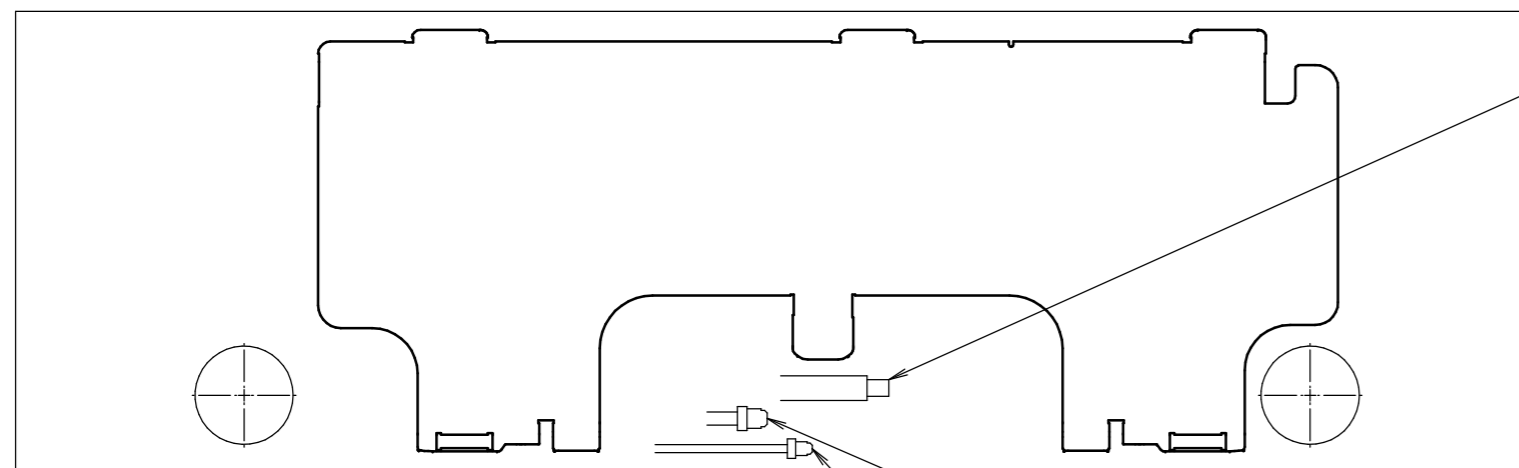


Bottom view

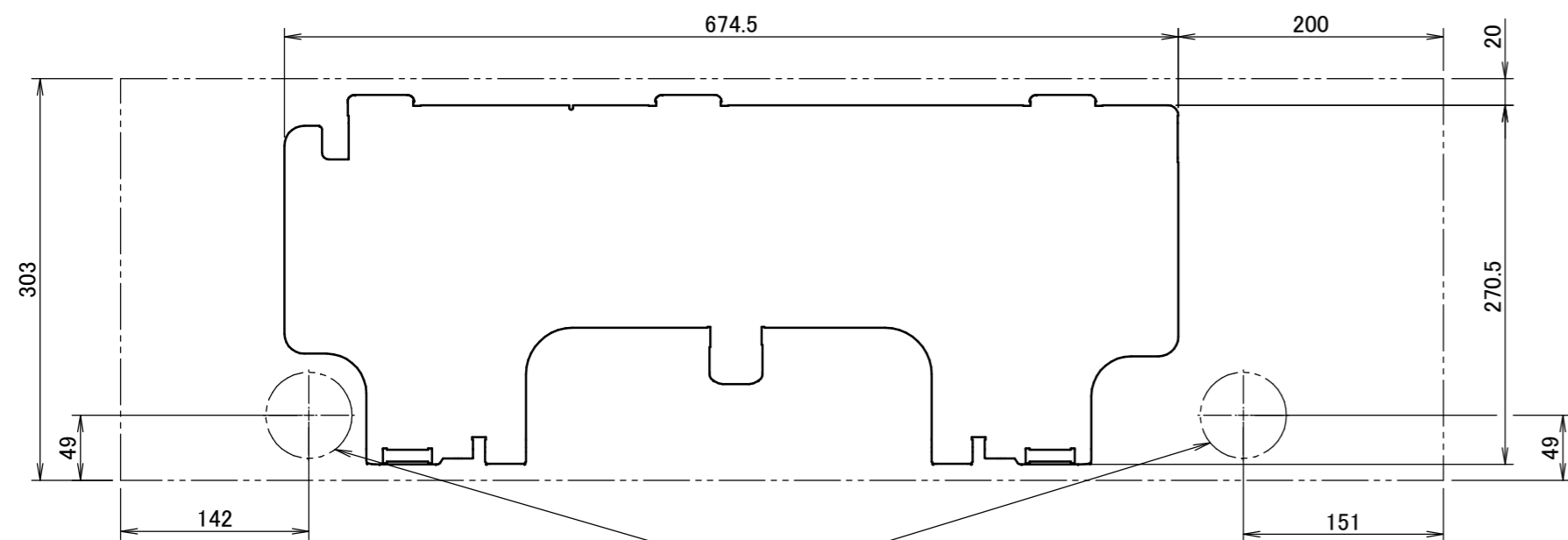


Drain hose
Connecting part
Inside diameter: 16mm
Outside diameter: 18mm
The length of the connection hose outside the unit is 465mm.

Gas pipe $\phi 12.7\text{CuT}$
The length of the pipe outside the unit is 350mm.

Liquid pipe $\phi 6.4$
The length of the pipe outside the unit is 400mm.

Standard location of holes in the wall



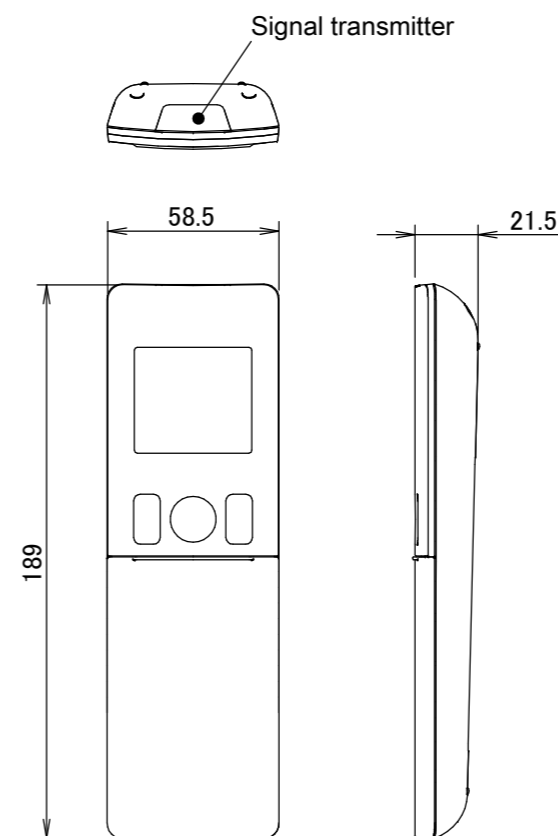
$\phi 65$ Hole for embedded piping

Notes

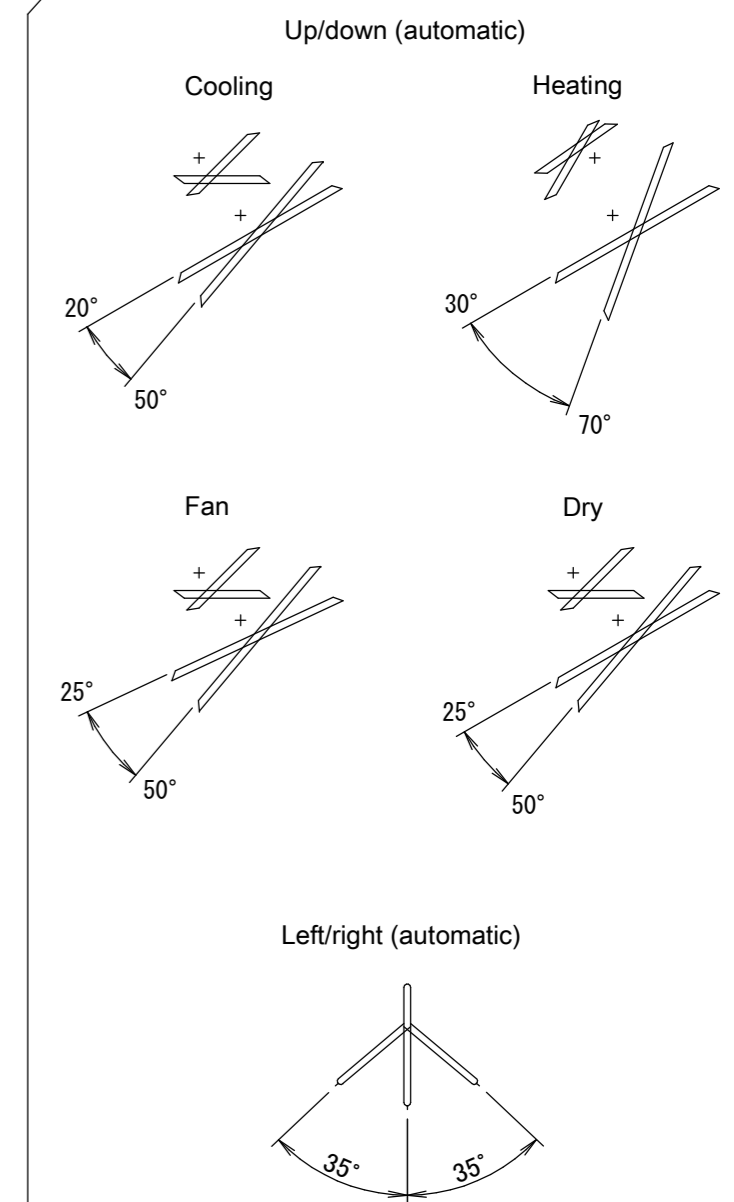
1. The (\rightarrow) mark shows the piping direction.
2. In this case, the optional grille is required.
3. In this case, cut the grille according to the paper pattern.

Wireless remote control

(ARC466A9)



Blade angle



Required space for service and ventilation

