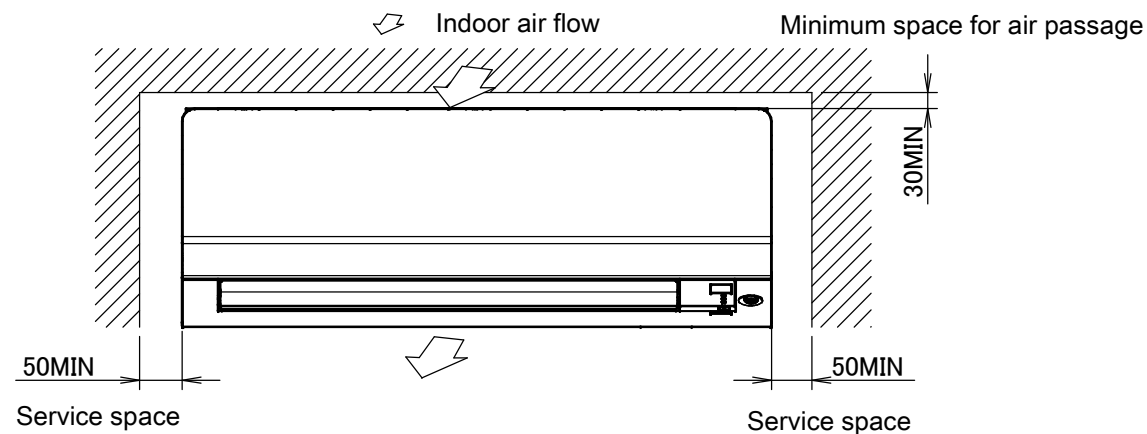
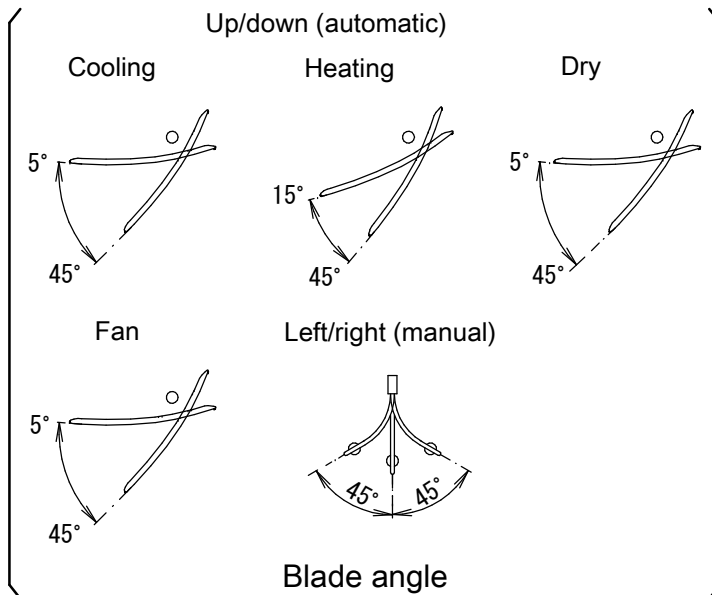
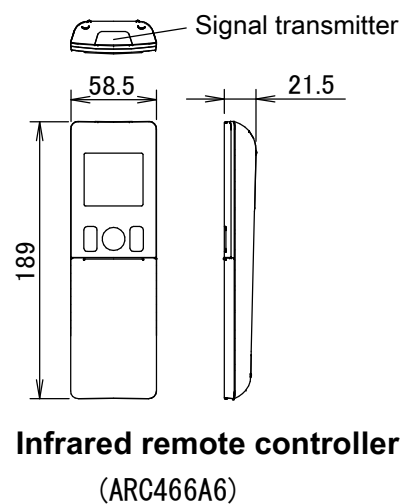
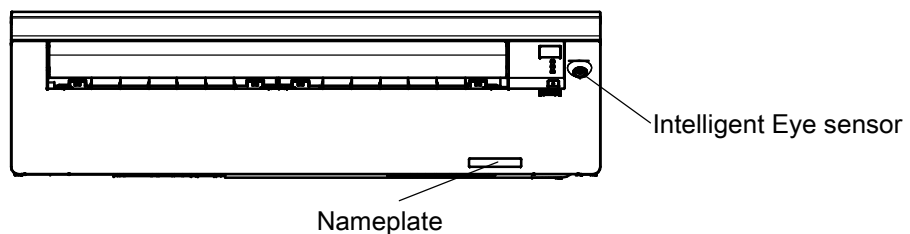
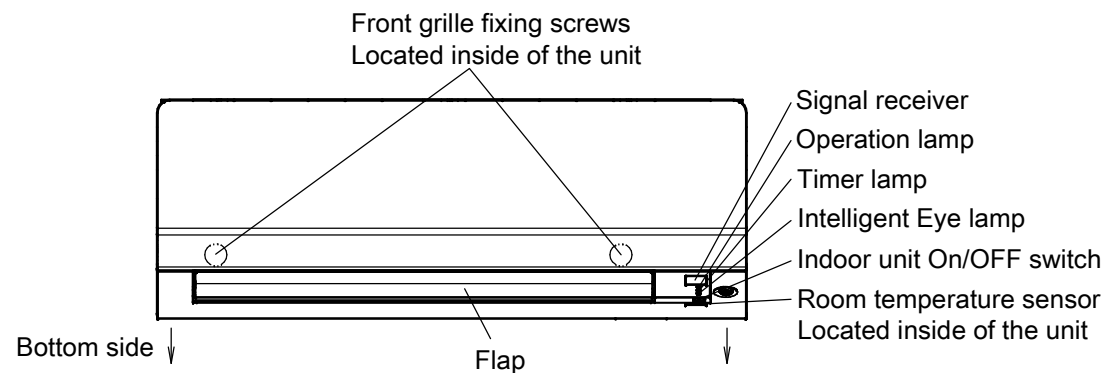
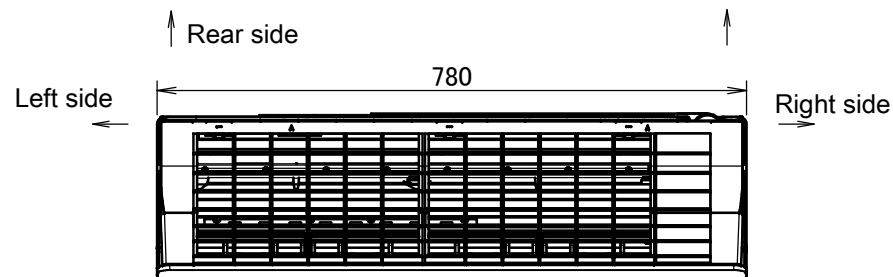
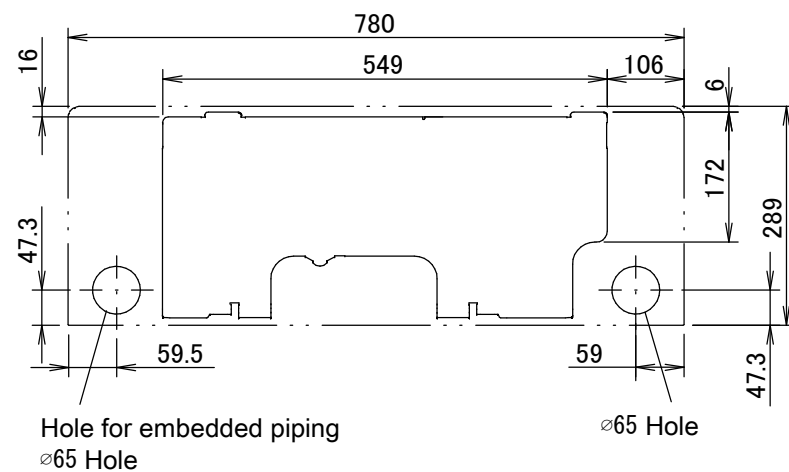
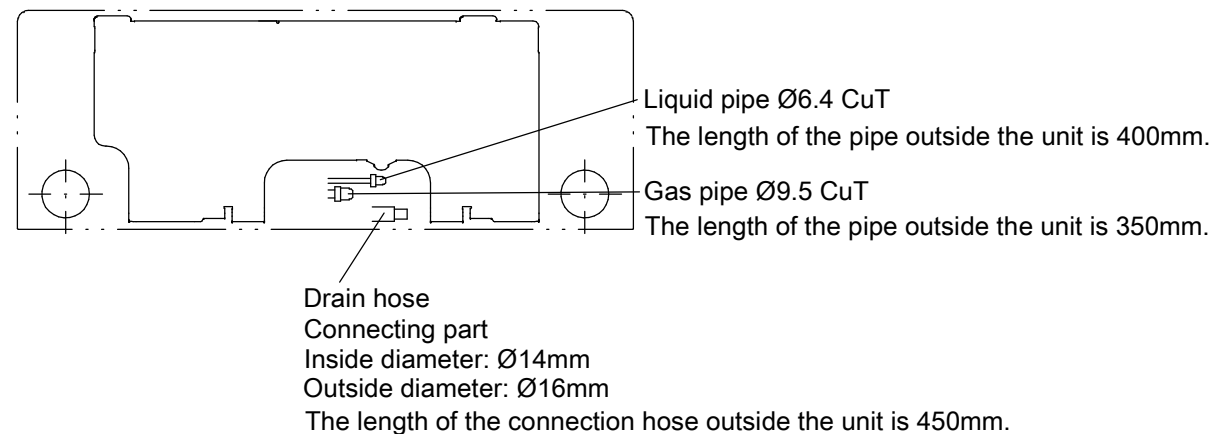
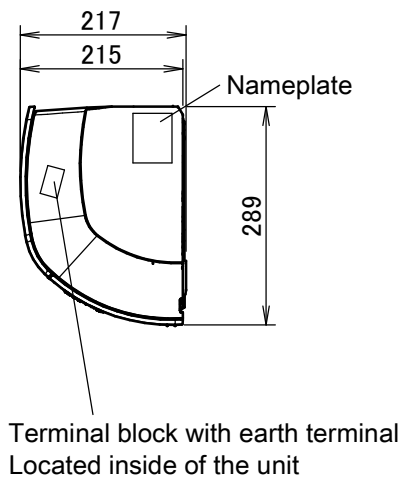


The (→) mark shows the piping direction.



Including mounting plate

Required space for service and ventilation



Standard location of holes in the wall