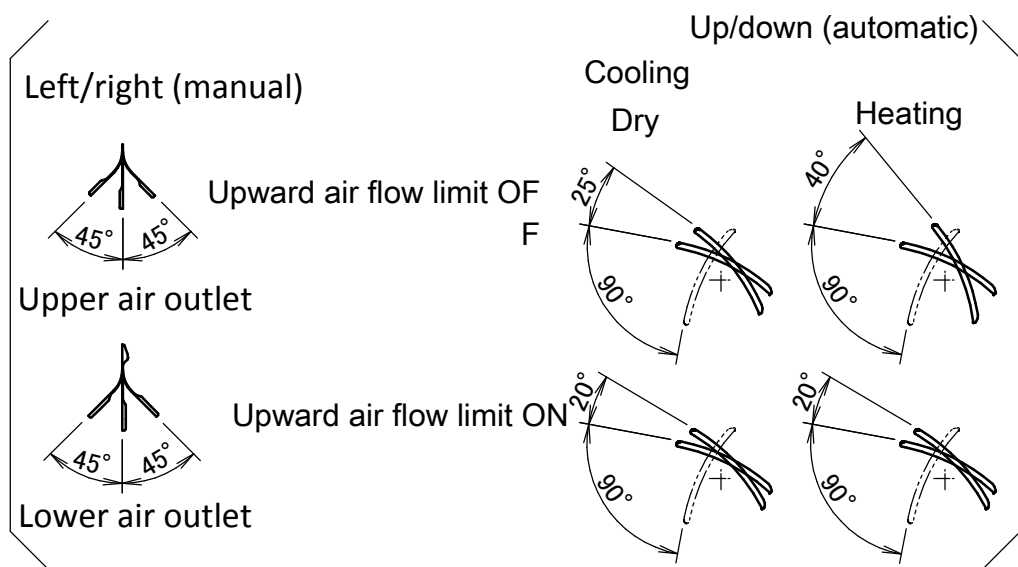


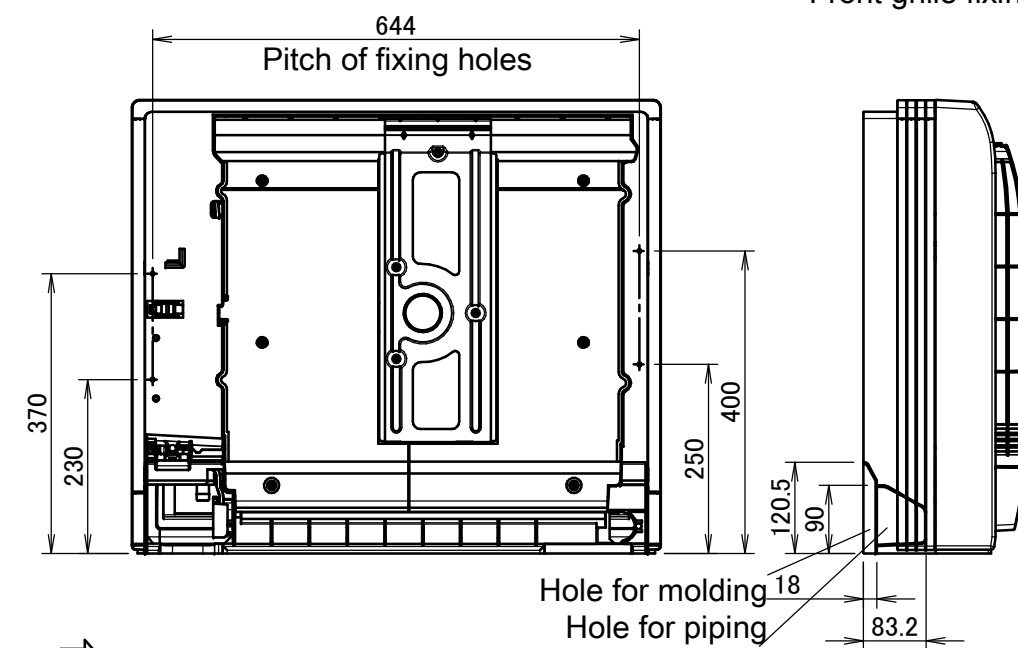
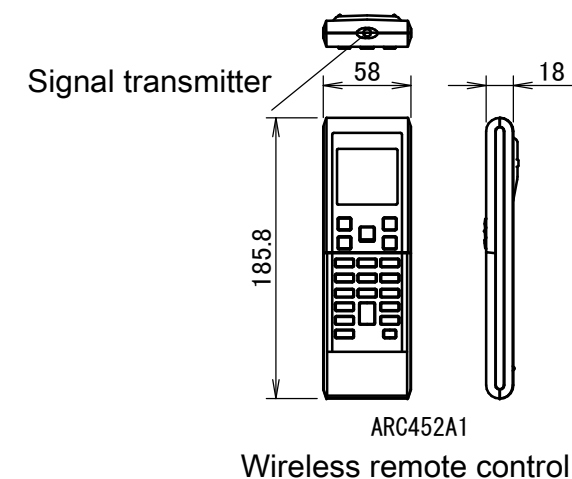
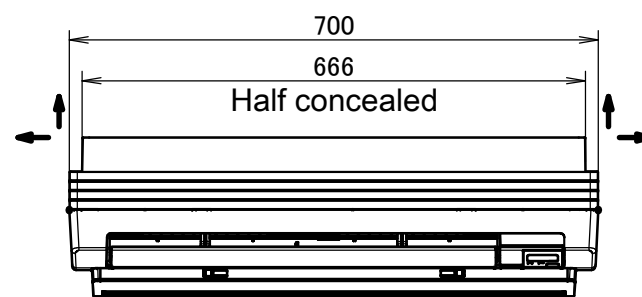
FVXM25-35F

Adjusting the air flow direction



Notes

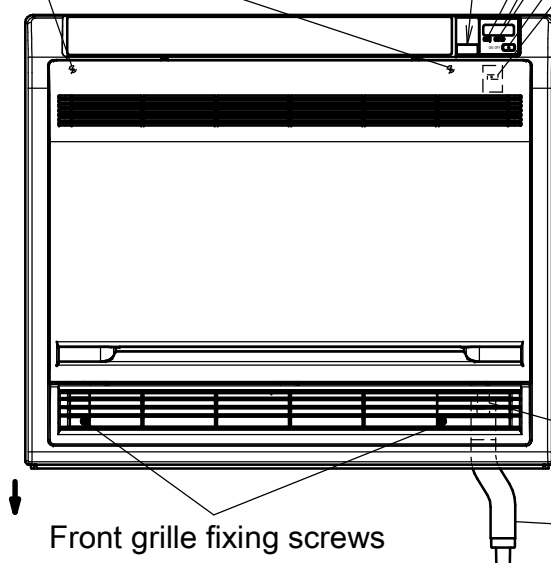
- The → mark shows the piping direction.



Front grille fixing screws

Model name

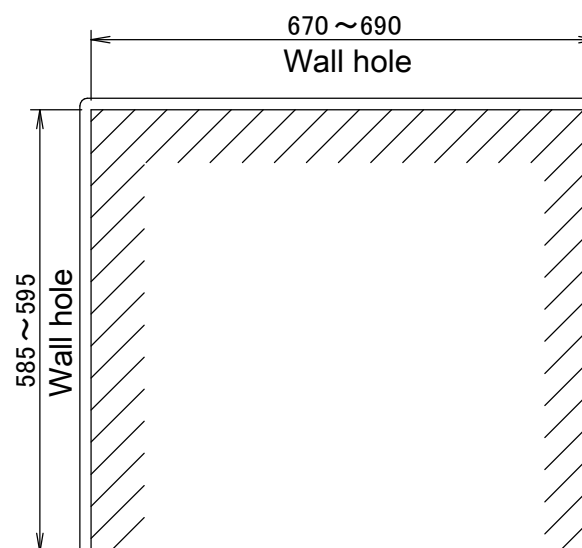
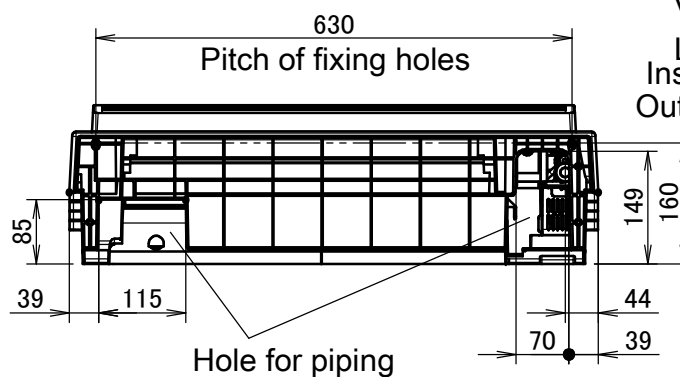
- Operation lamp
- Signal receiver
- Timer lamp
- Indoor unit On/OFF switch
- Air outlet selection switch



Nameplate

- Terminal block with earth terminal
- Room temperature sensor
- Liquid pipe connection $\varnothing 6.4$ CuT
- Gas pipe connection $\varnothing 9.5$ CuT

Drain hose
VP20
L=220 mm
Inside diameter: 20mm
Outside diameter: 26mm



Wall hole for half concealed installation

- Air flow
- Required space

