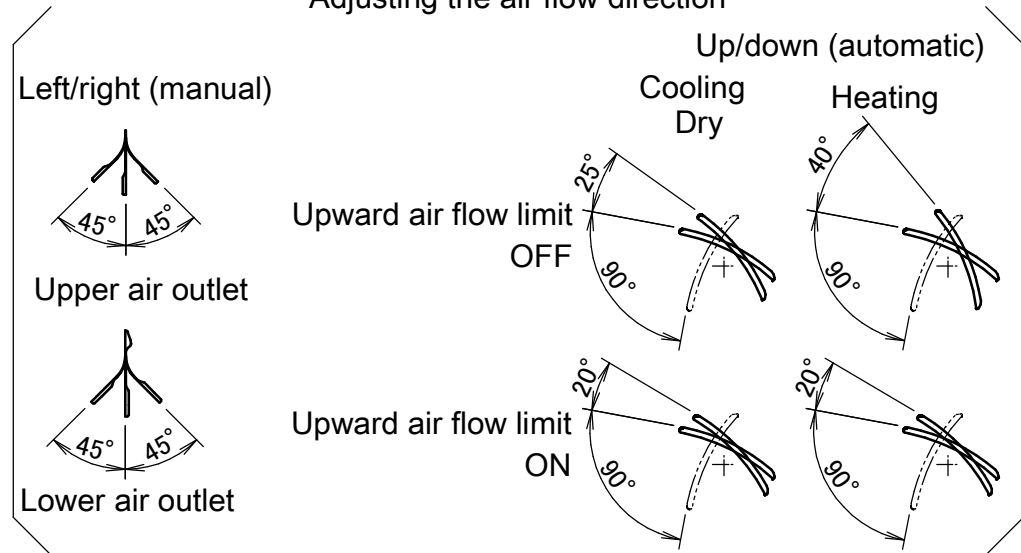


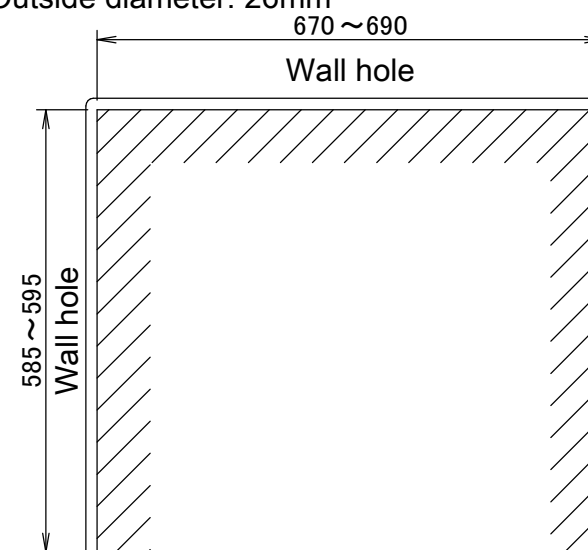
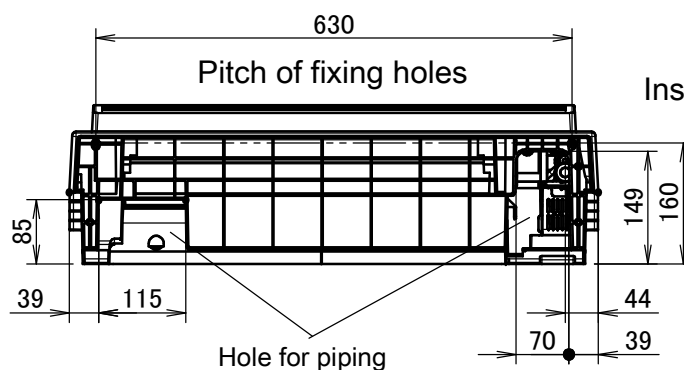
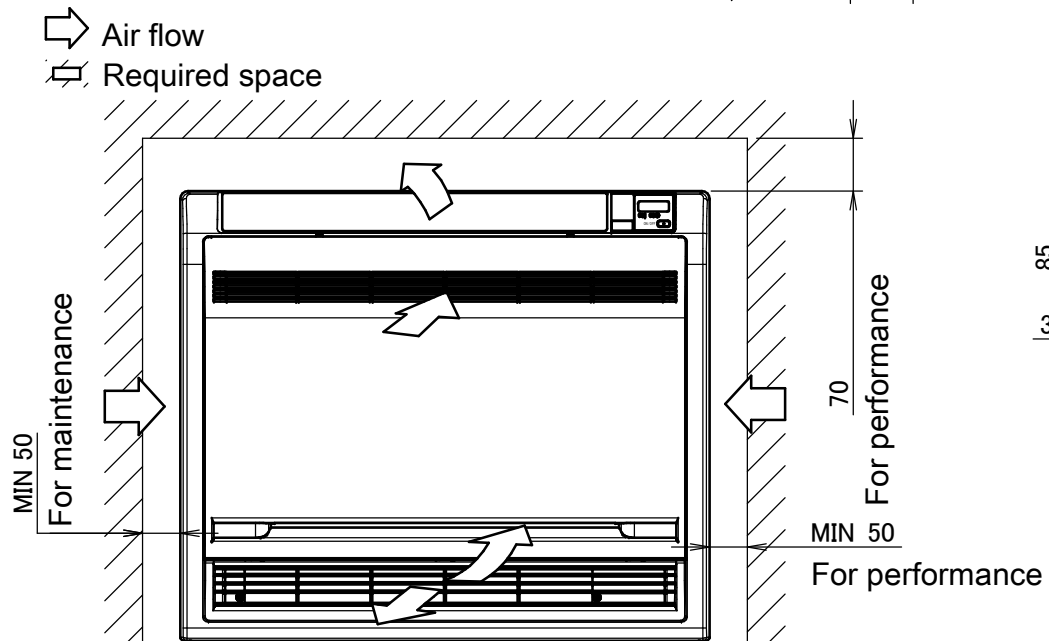
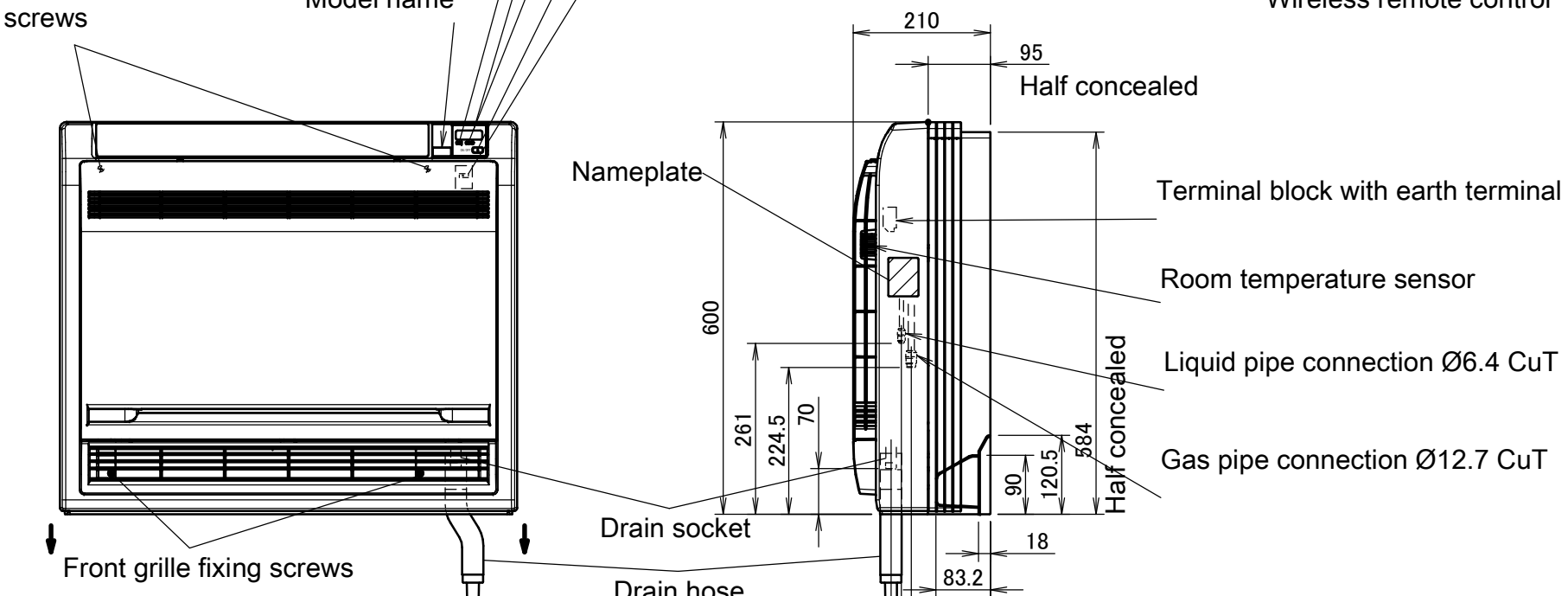
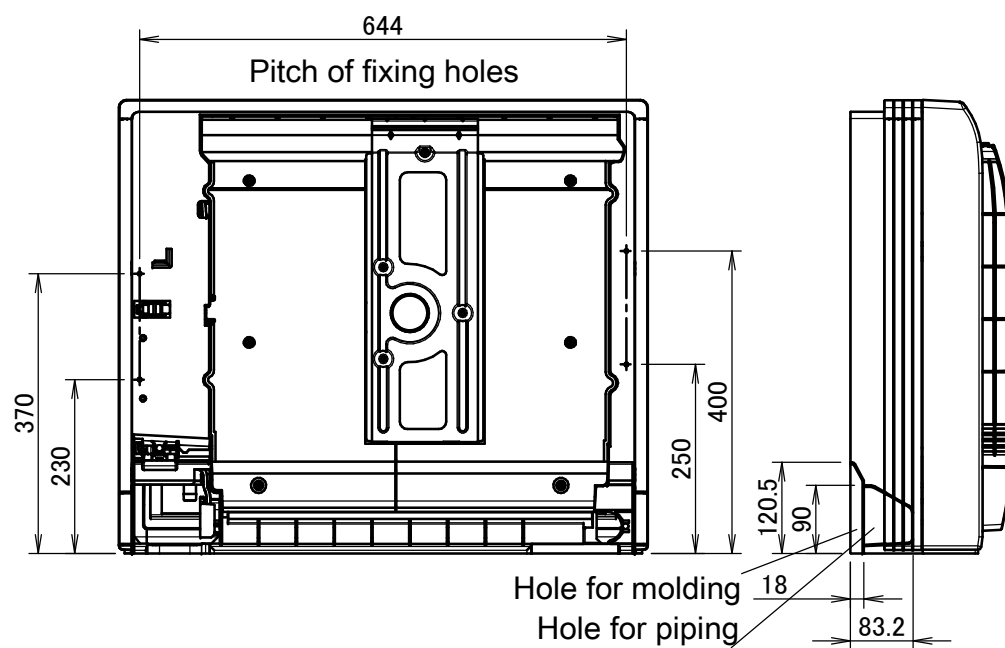
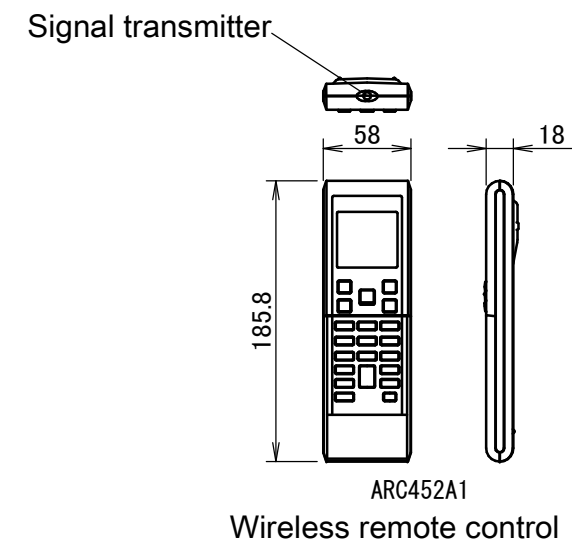
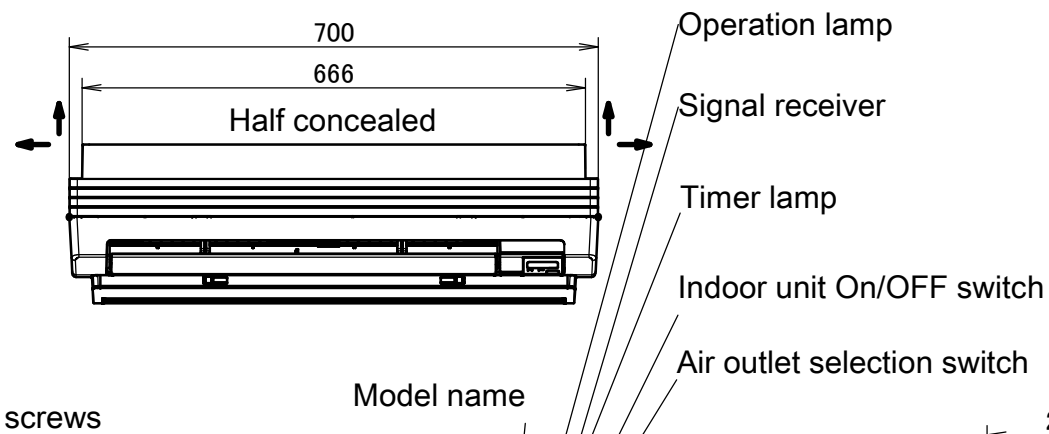
FVXM50F

Adjusting the air flow direction



Notes

- The → mark shows the piping direction.



Wall hole for half concealed installation