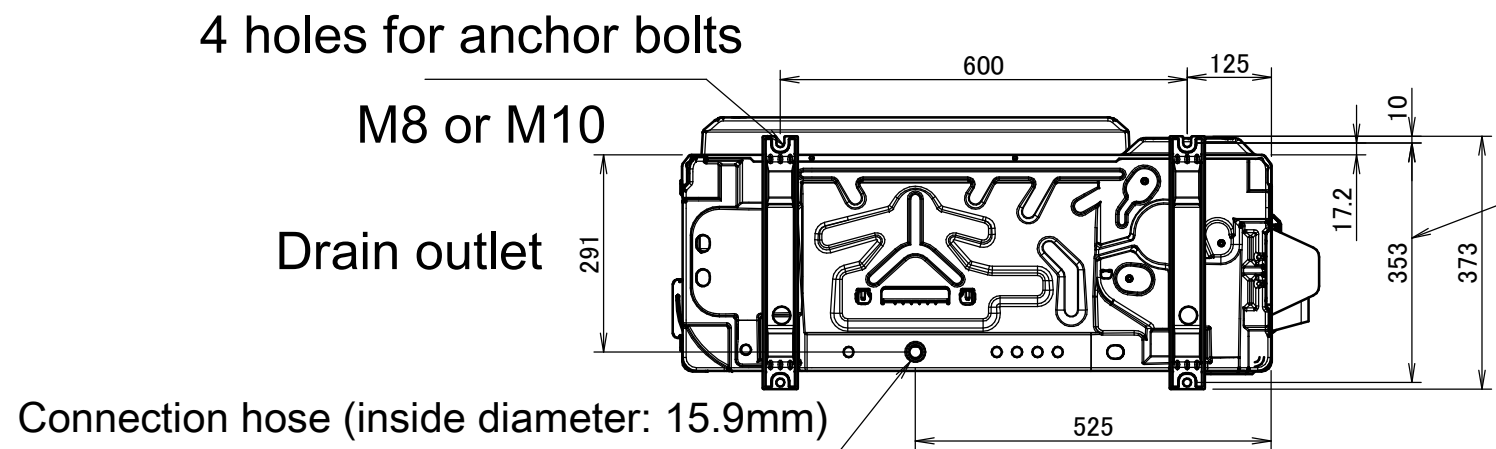
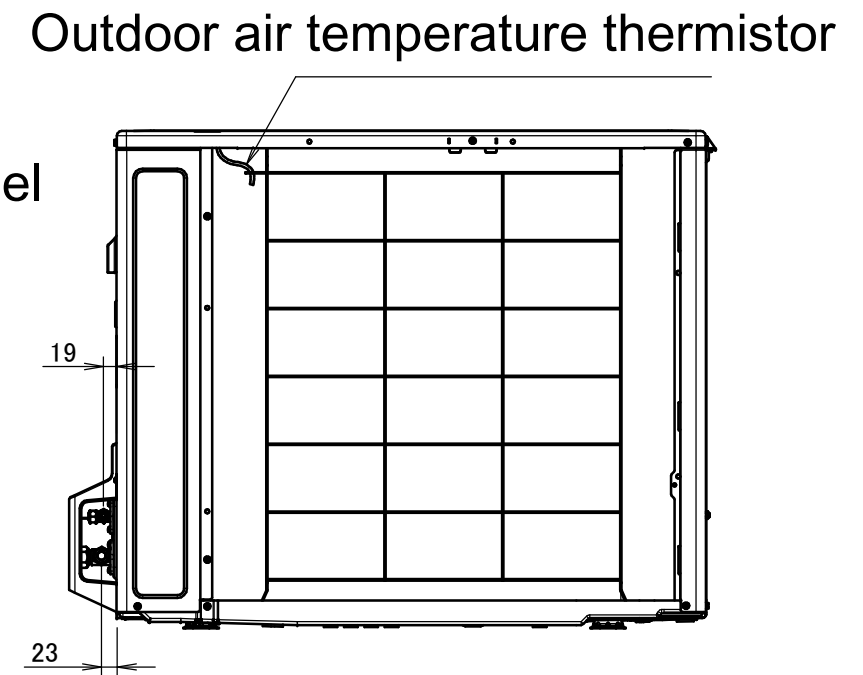
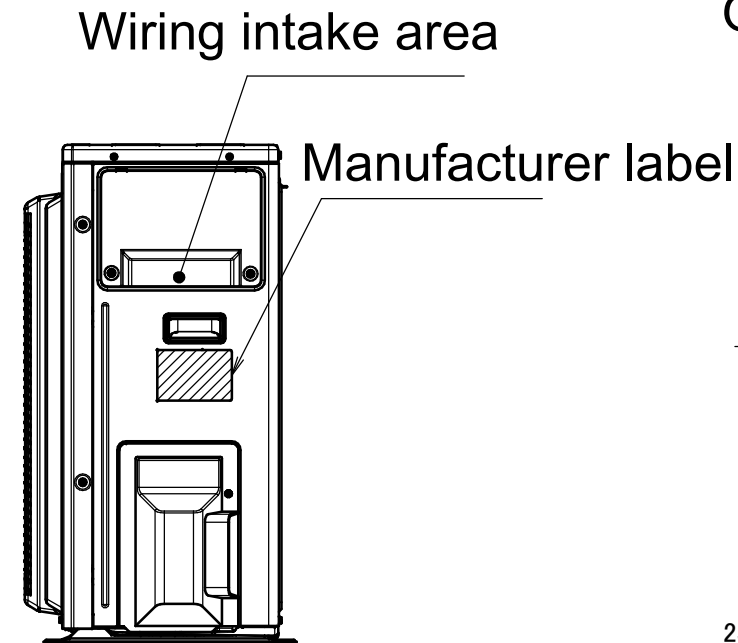
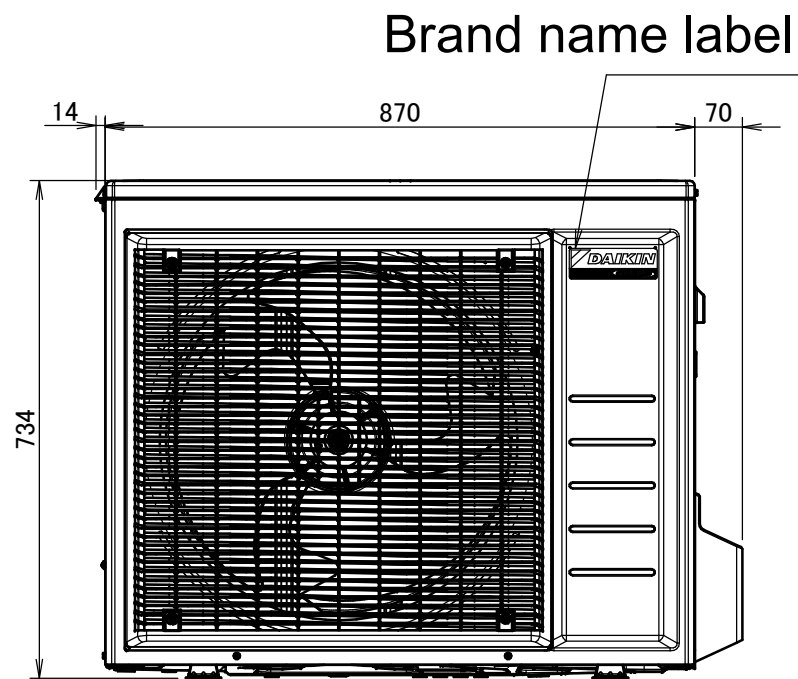
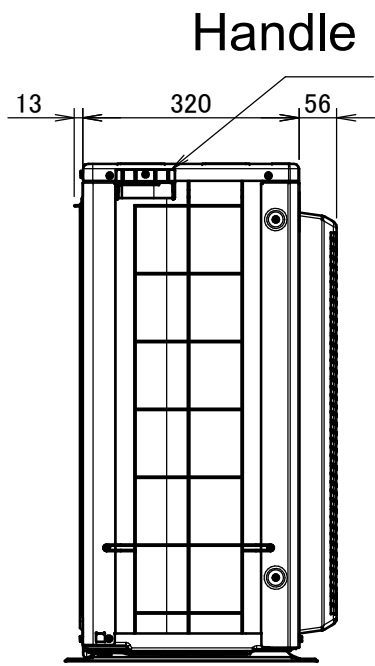


RX-K



Pitch of foundation bolt holes

In case of removing the stop valve cover.

Minimum space for air passage
Wall height on air outlet side < 1200 mm

