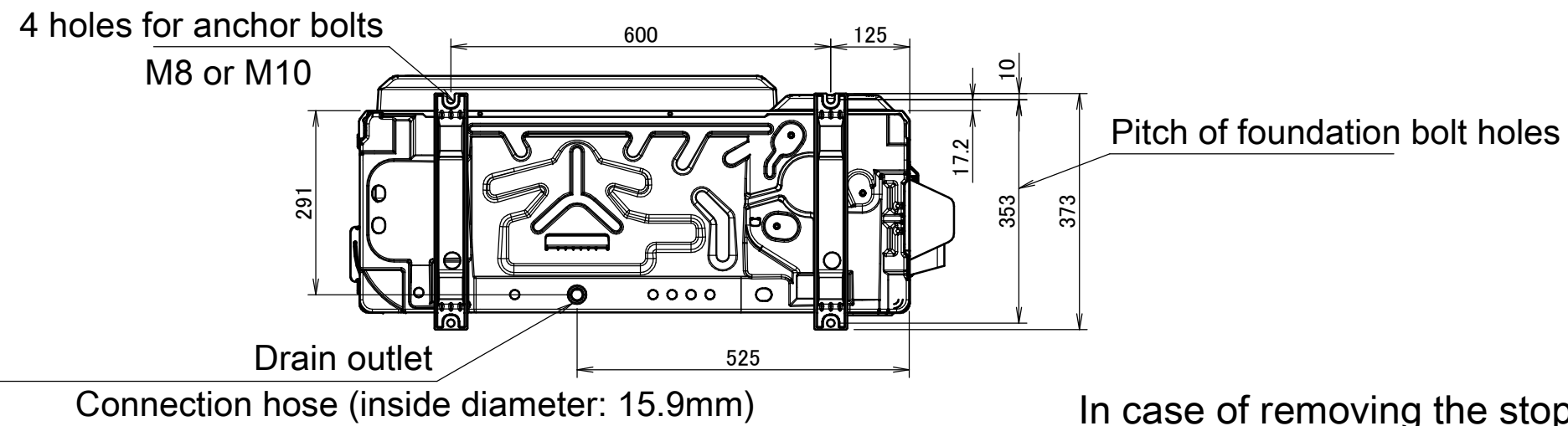
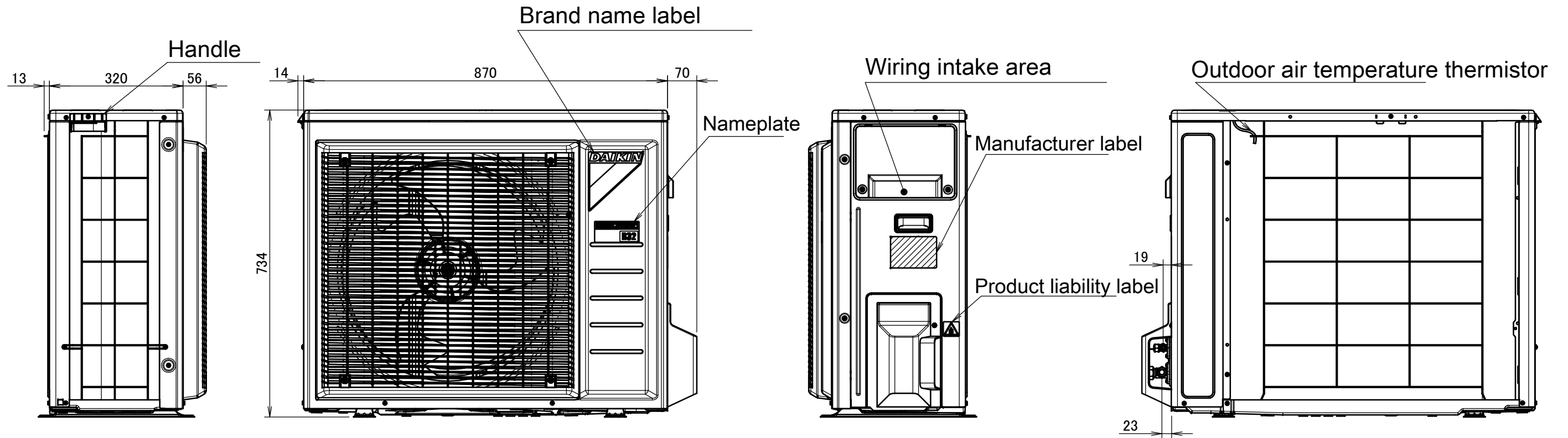


# RXF71A



In case of removing the stop valve cover.

Minimum space for air passage  
Wall height on air outlet side < 1200 mm

