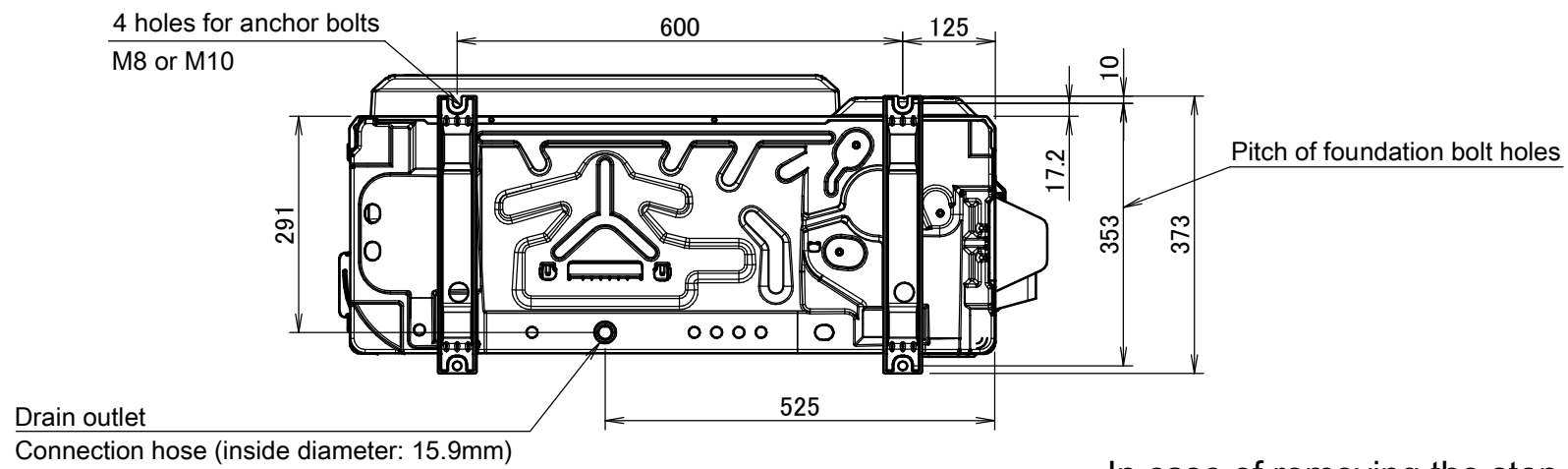
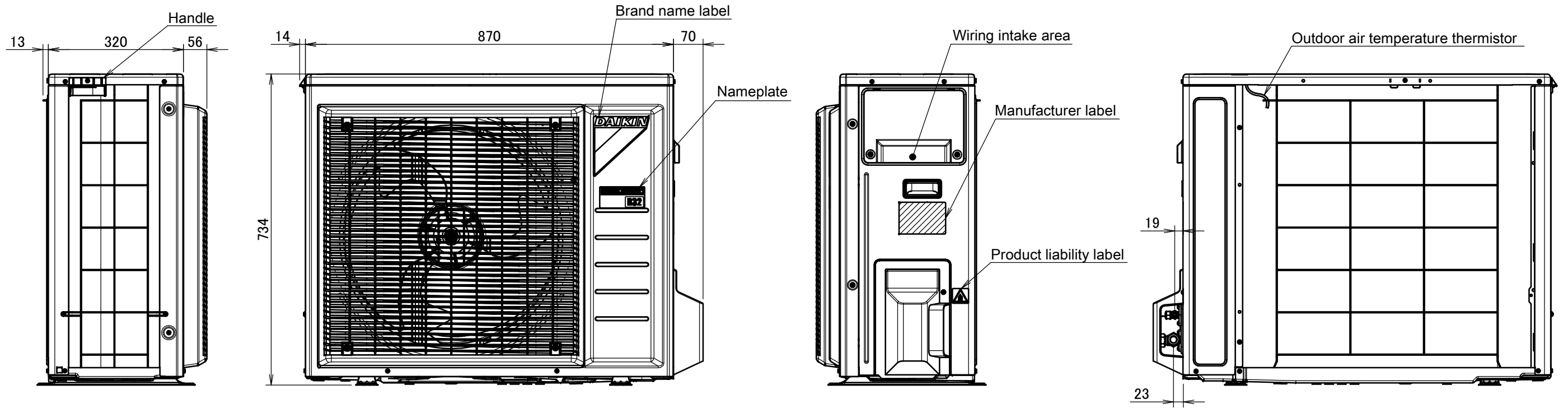
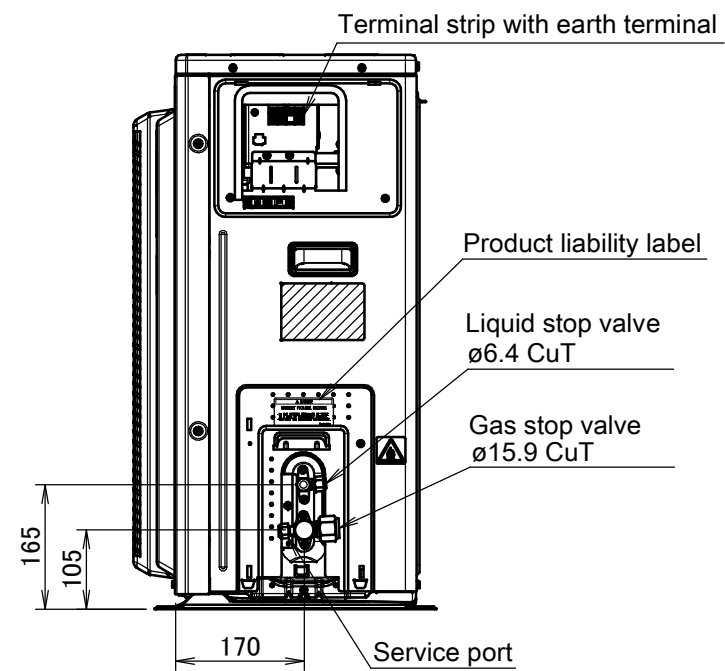
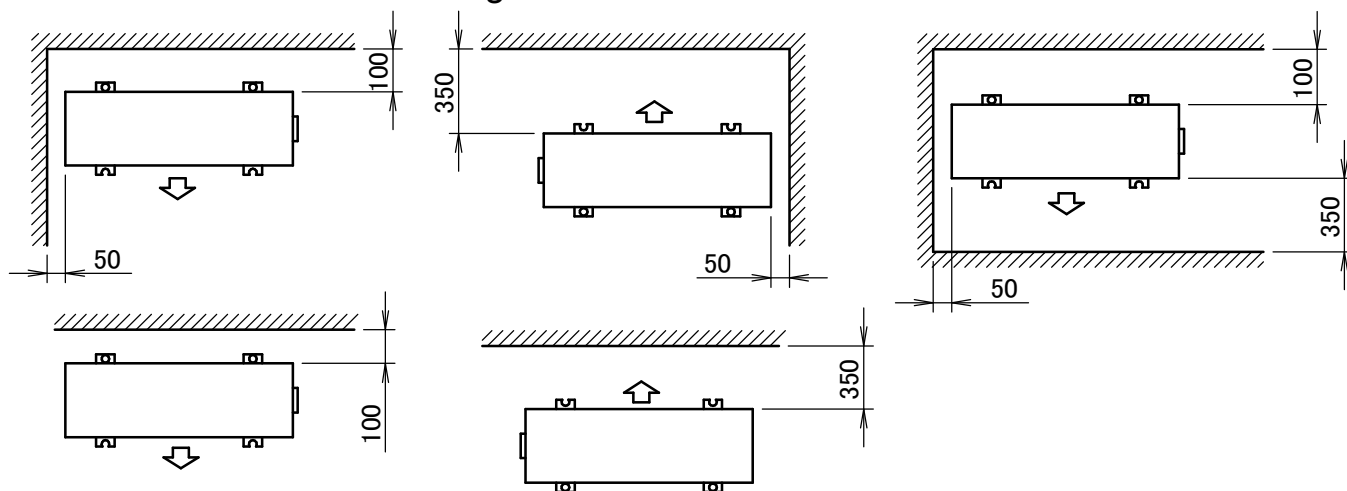


# RXM71M



In case of removing the stop valve cover.

Minimum space for air passage  
Wall height on air outlet side < 1200 mm



3D100867B